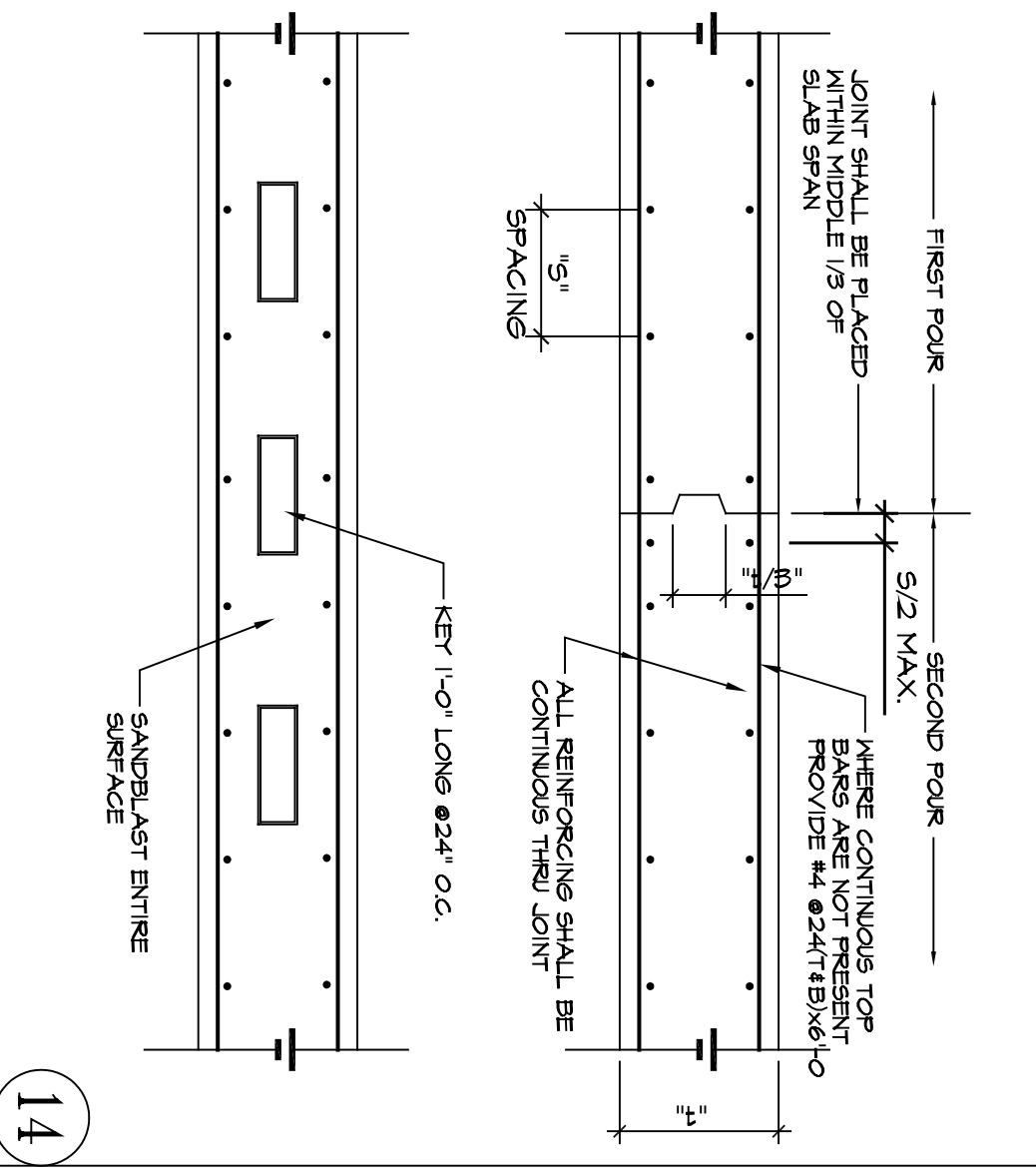




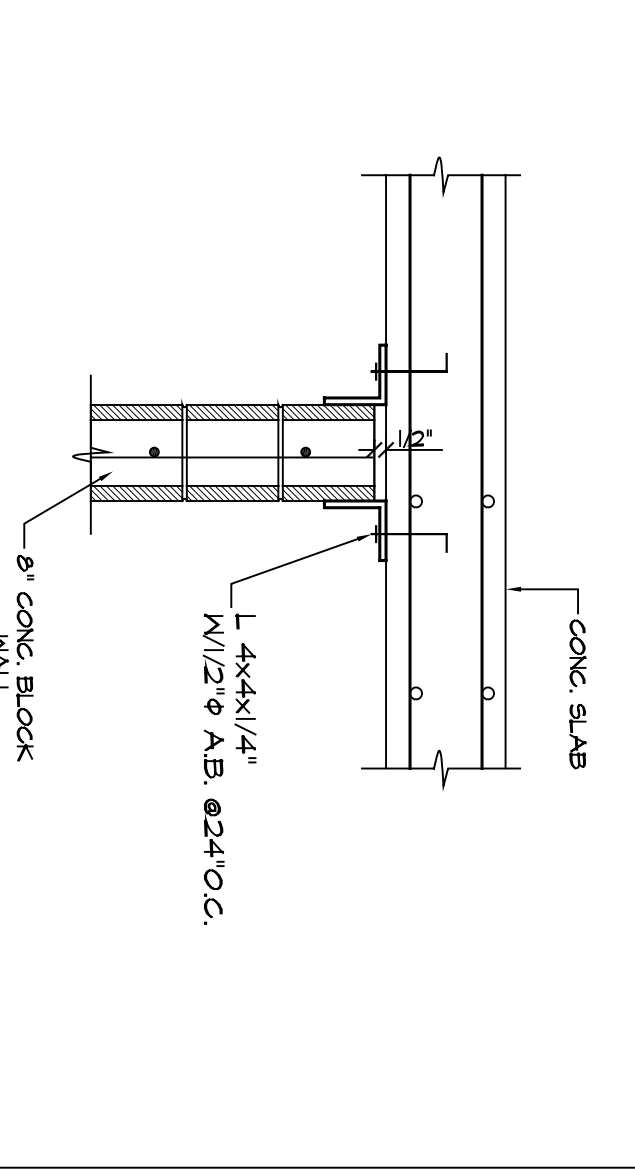
MR. ALI MADANI & MR. HOSSEIN ASHTIANI
 5 UNIT CONDOMINIUMS at
 1327 EUCLID STR., SANTA MONICA, CA-90404

L&V ARCHITECTS
 1514 17th Street, Suite 207
 Santa Monica, CA 90404
 Tel. (310) 829 0996; Fax. (310) 829 7889

TITLE
 GENERAL DETAILS
 SCALE
 DATE
 02/27/07
 SHEET NUMBER
 S-1.2

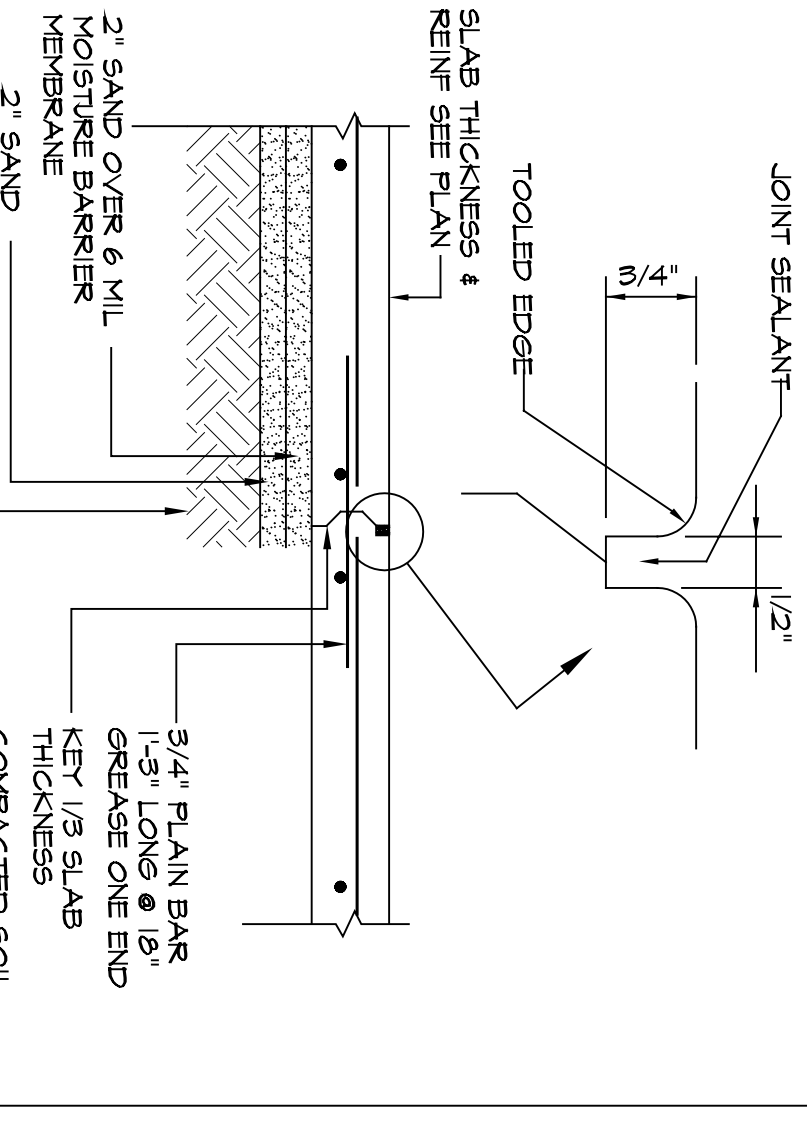


14



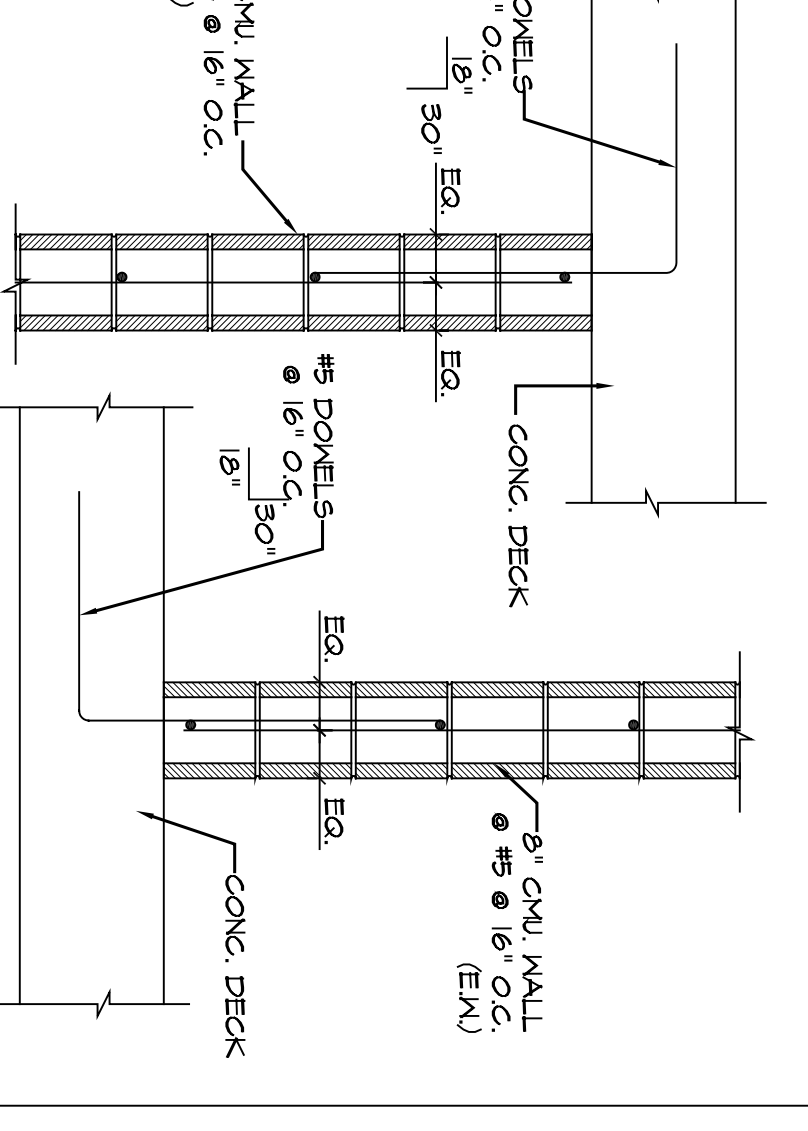
ALL NON BEARING CMU WALL CONNECTION

15



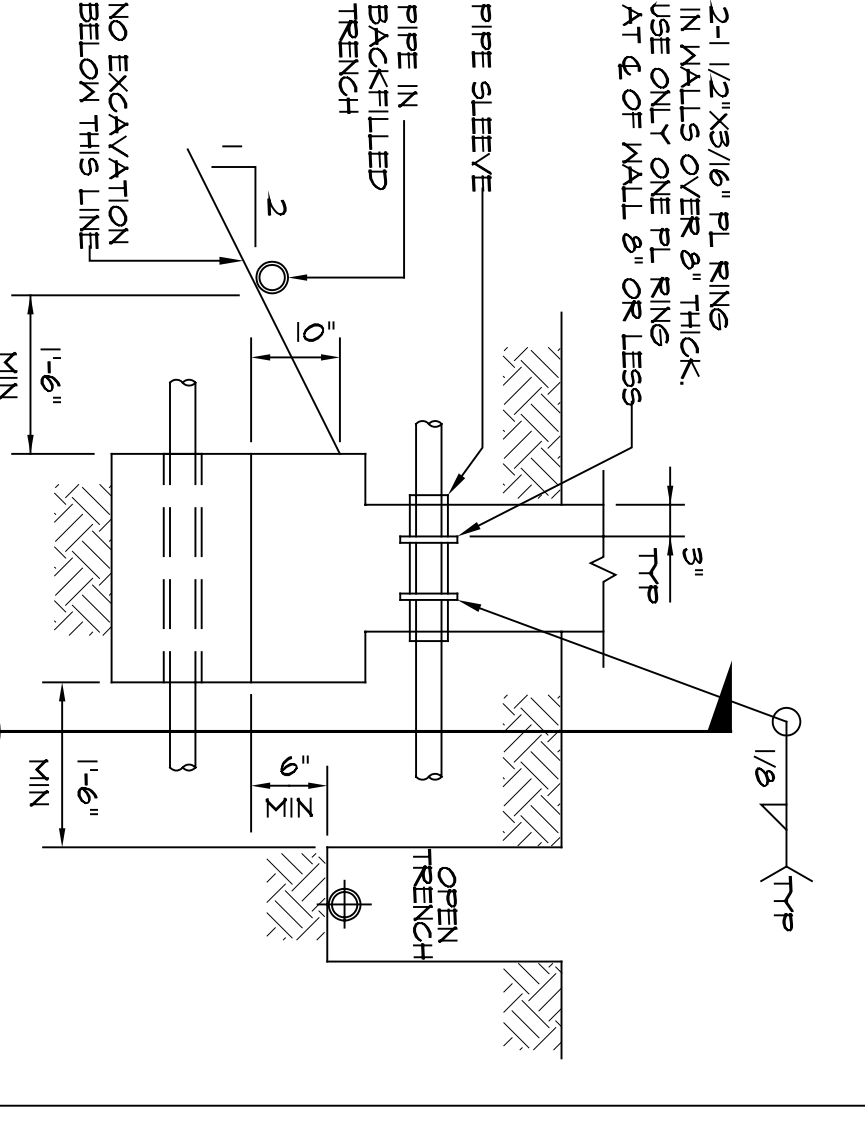
CONSTRUCTION JOINT

10



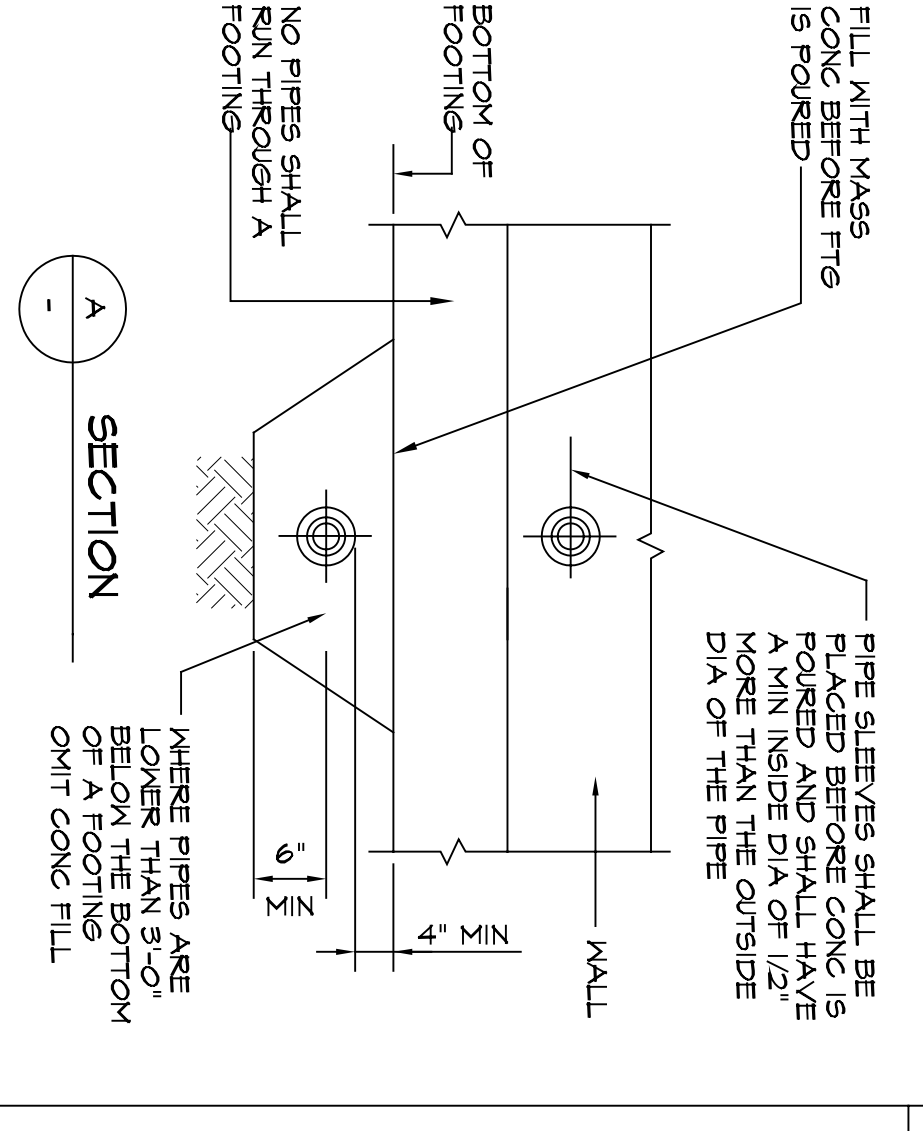
TYPICAL CMU TO CONC.
 SLAB DOMES DETAILS

11



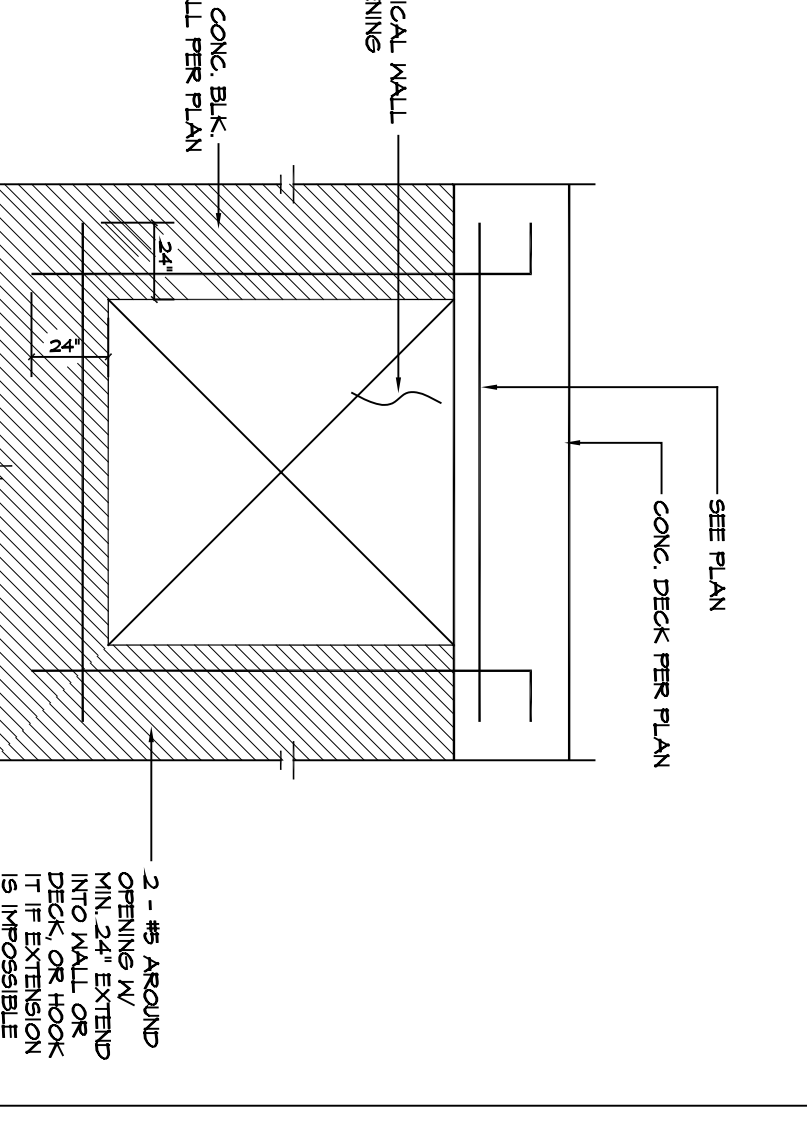
TYPICAL CONC. DECK OPENING

7



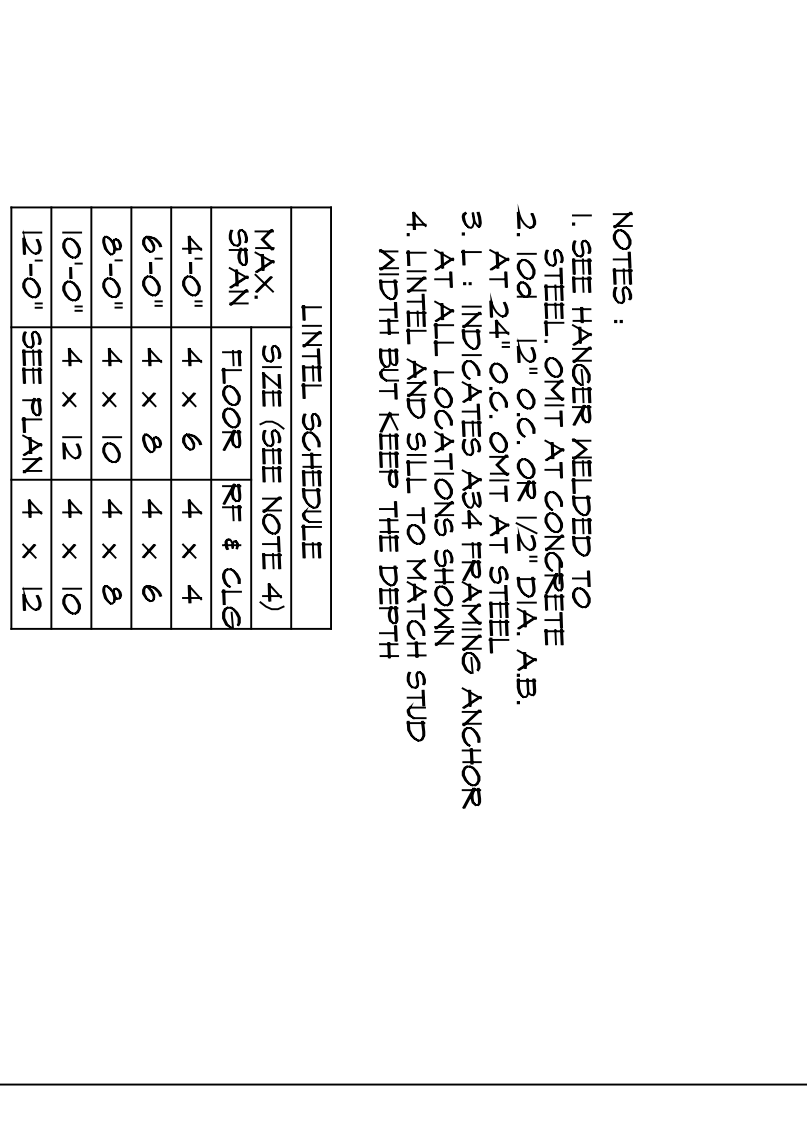
PIPE SLEEVE AND TRENCH

12



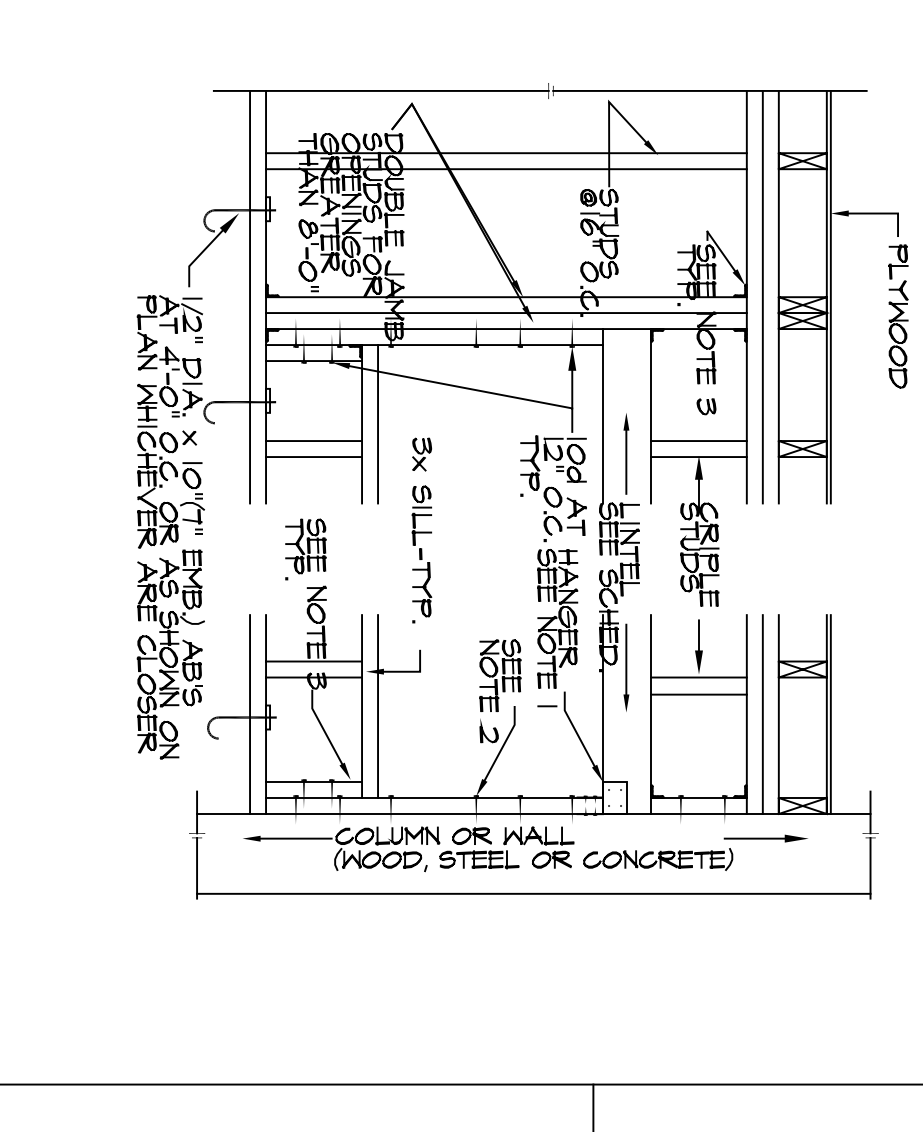
TYPICAL WALL OPENING DETAIL

13



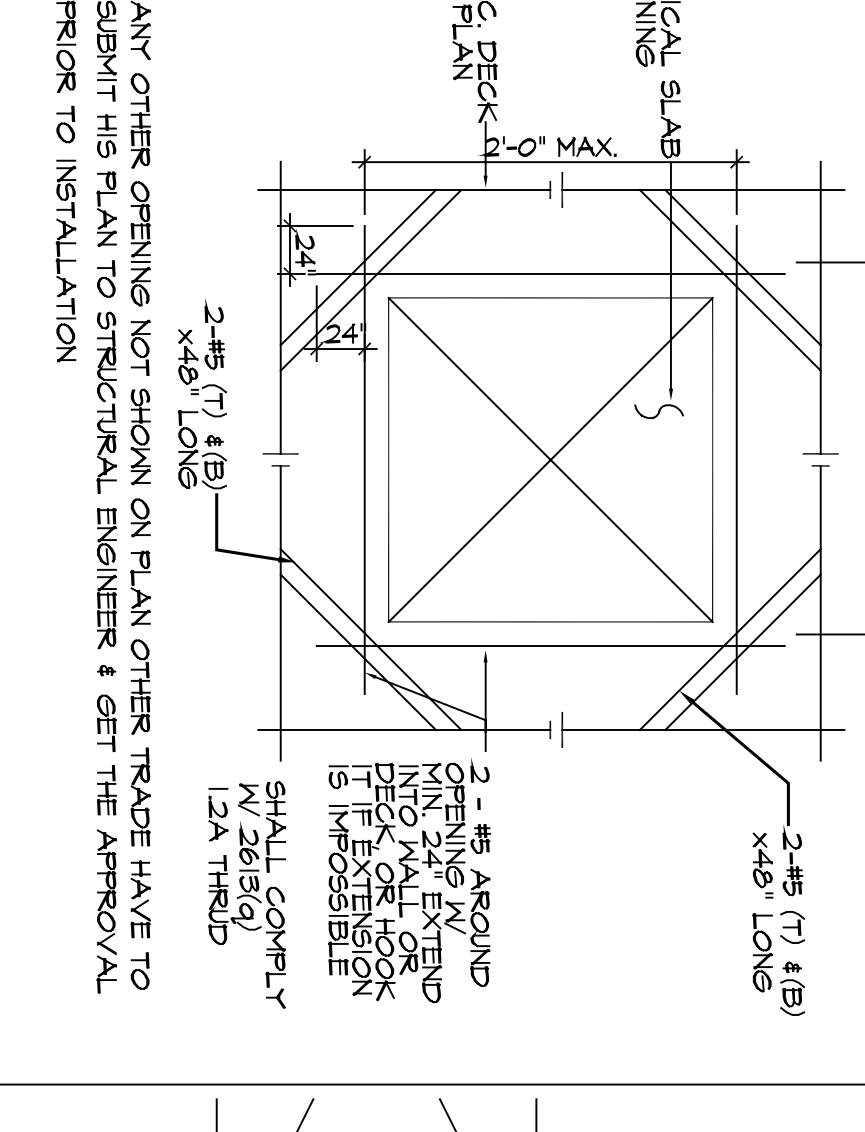
TYP. PLYWOOD SHEAR WALL LAY-OUT

1



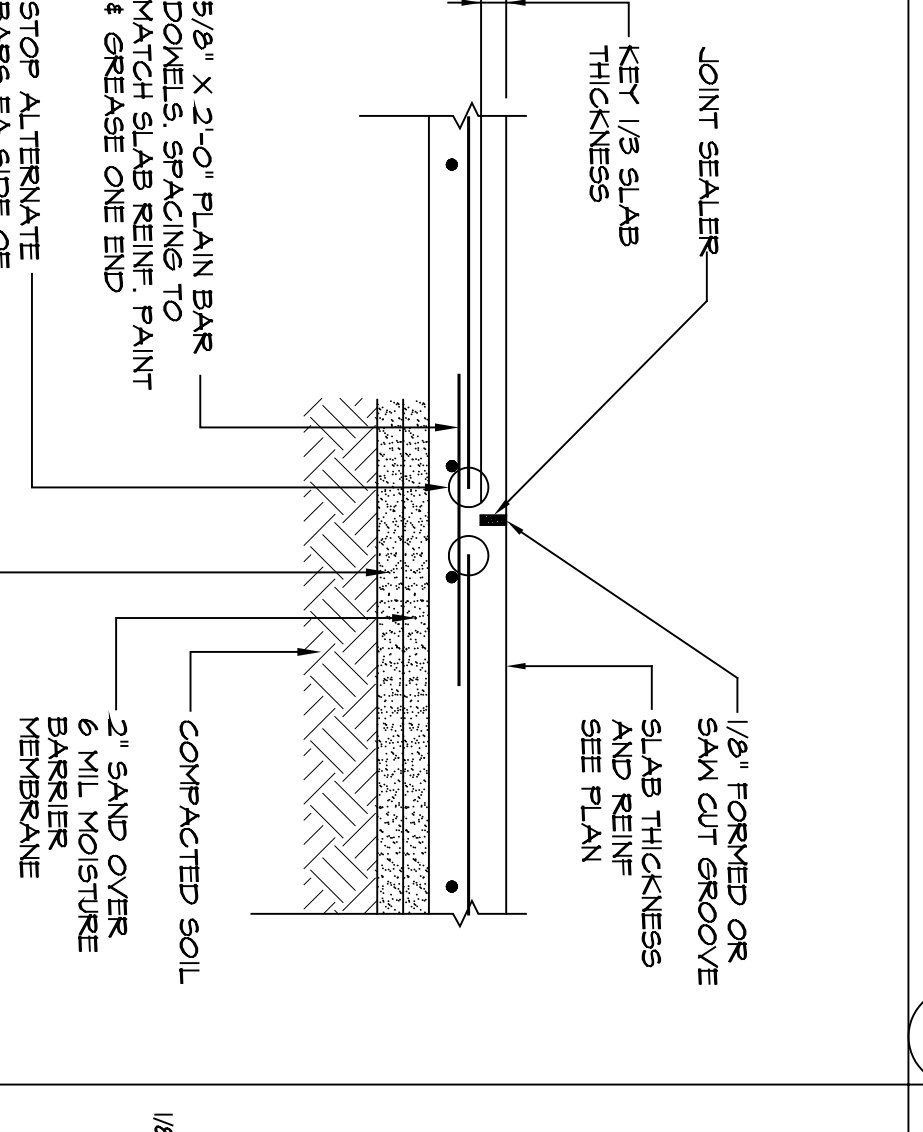
TYP. FRAMING AT WALL OPENINGS

2



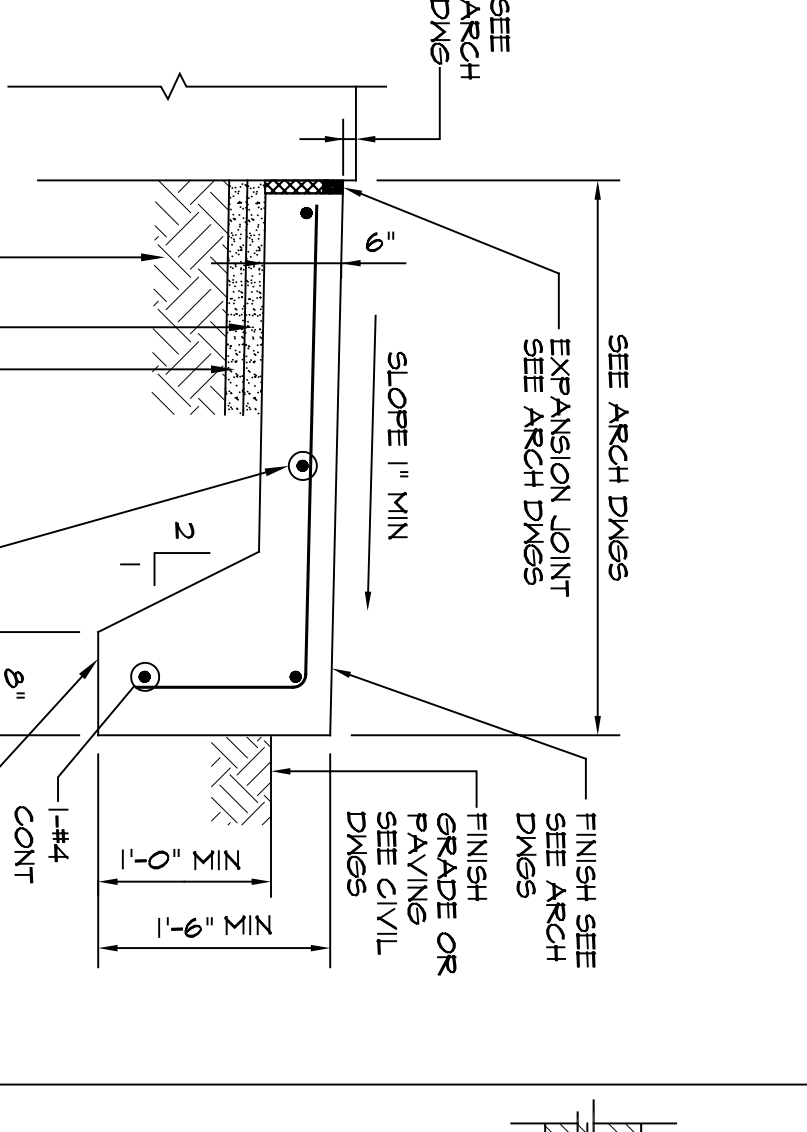
TYP. SHEATHING LAY-OUT

3



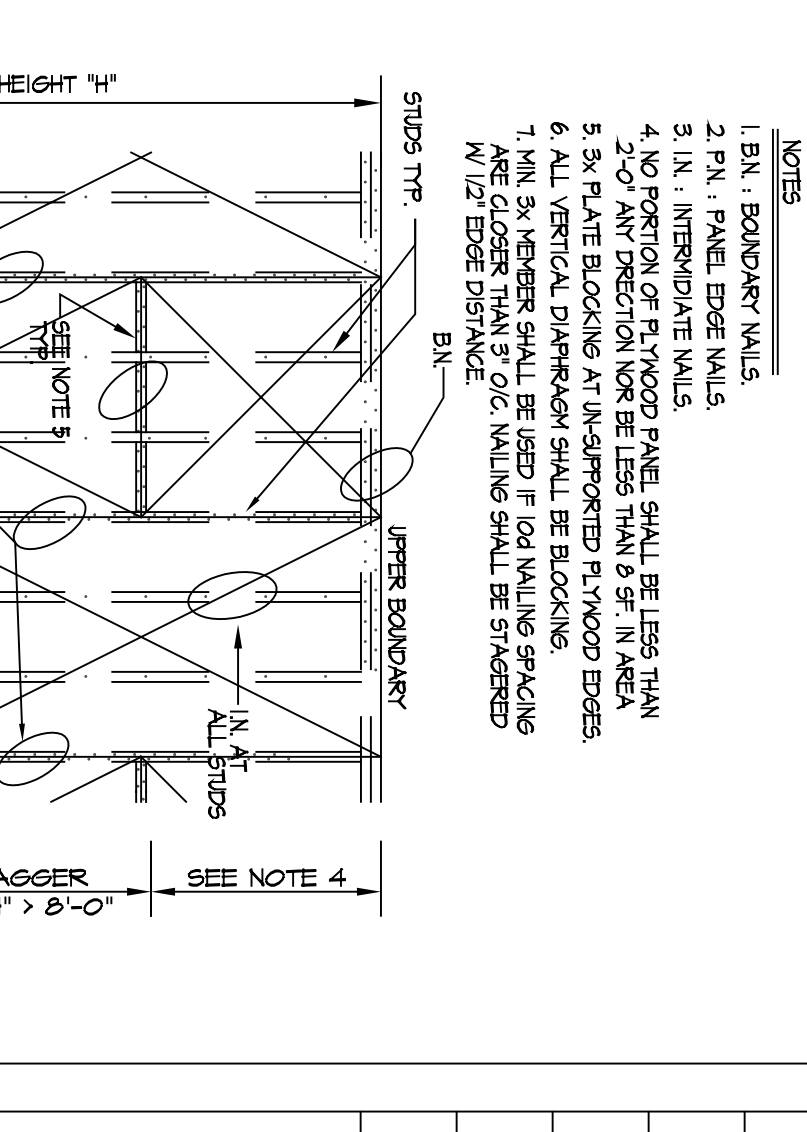
CONTROL JOINT

8



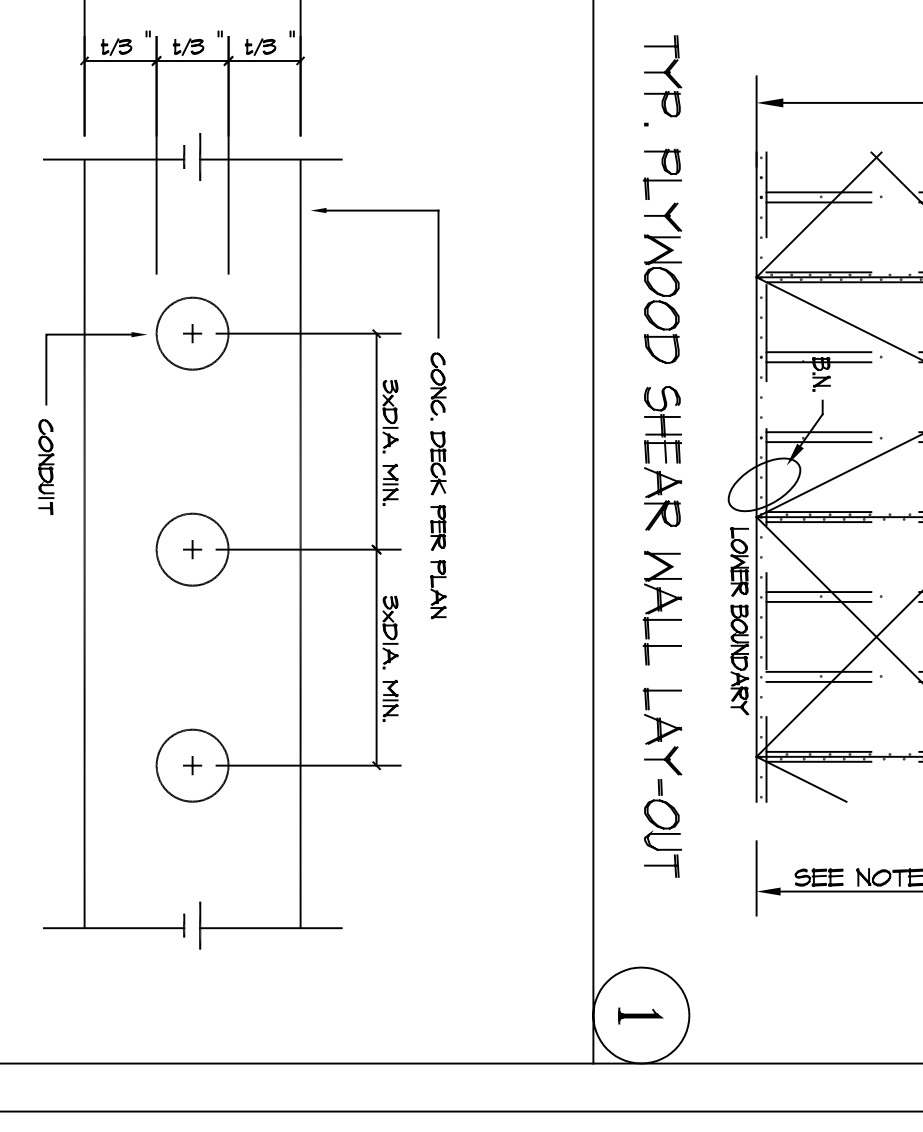
TYPICAL WALL CORNER DETAIL

9



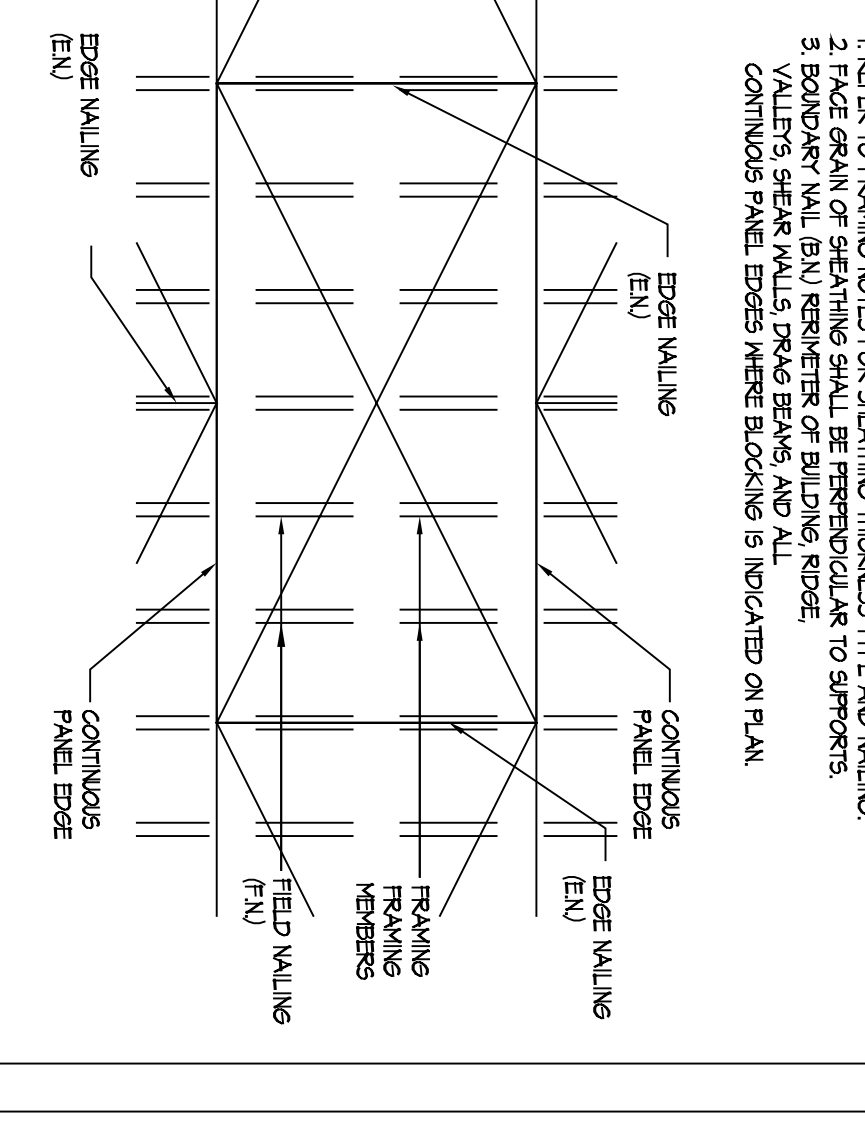
TYP. PLATE NOTCHING

4



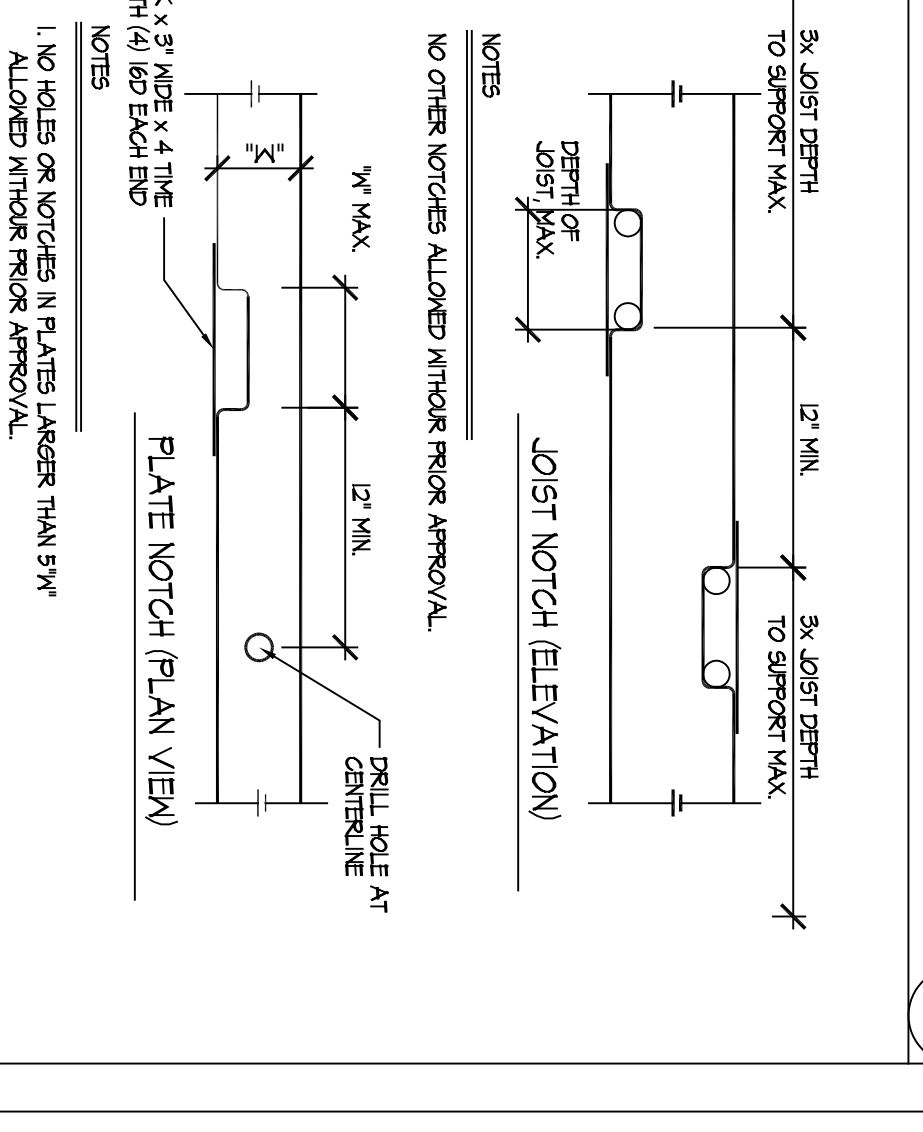
TYPICAL CONDUIT LOCATION

5



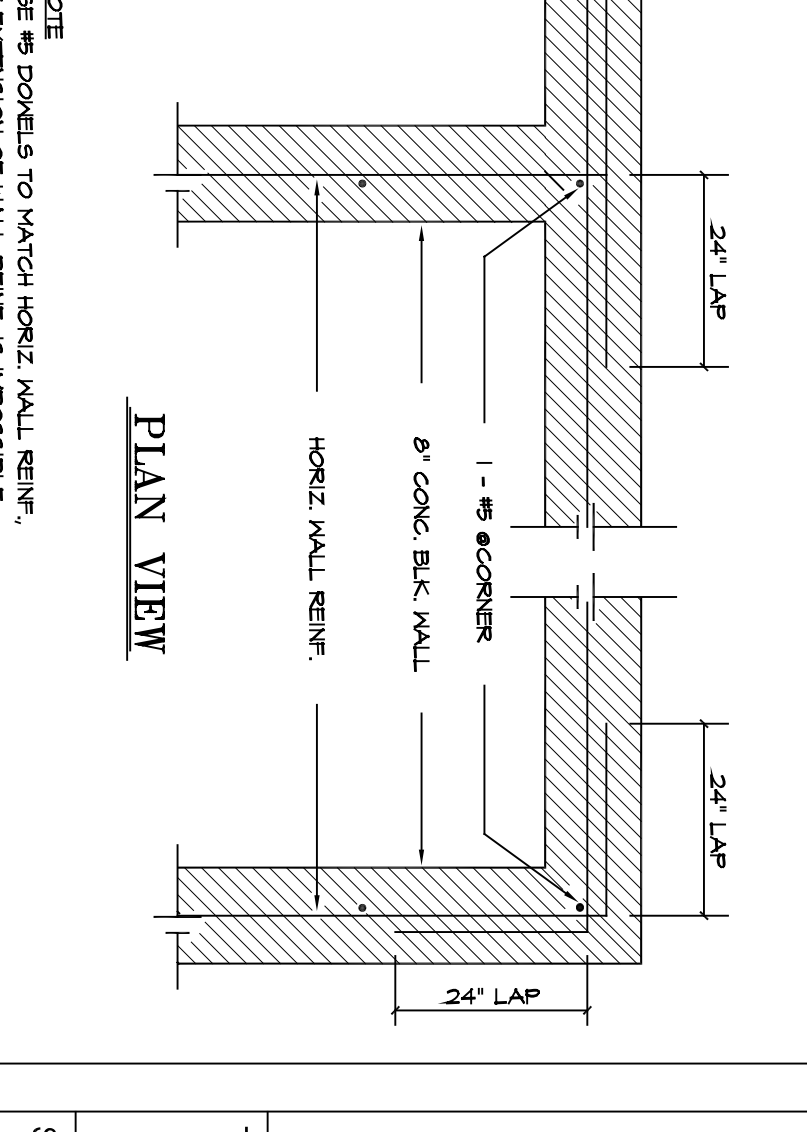
TYP. FRAMING AT WALL OPENINGS

6



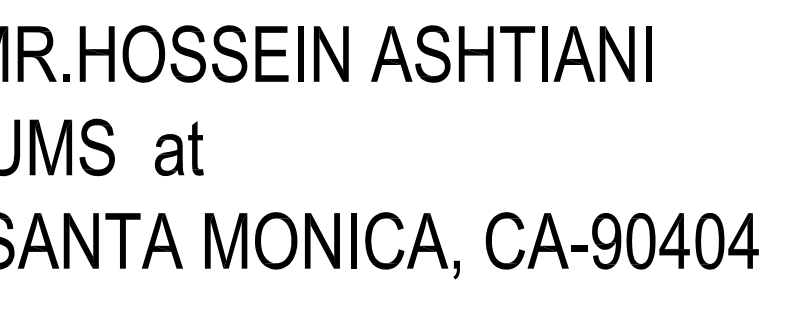
TYPICAL CONC. DECK OPENING

7



CONSTRUCTION JOINT

10



TYPICAL CMU TO CONC.
 SLAB DOMES DETAILS

11



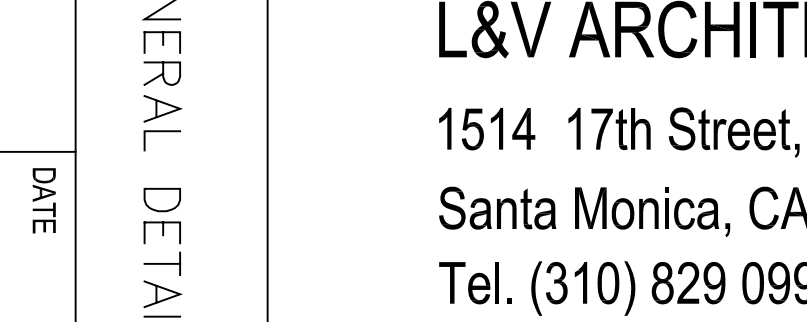
PIPE SLEEVE AND TRENCH

12



TYPICAL WALL OPENING DETAIL

13



CONSTRUCTION JOINT

14

NO.	REVISION	DATE