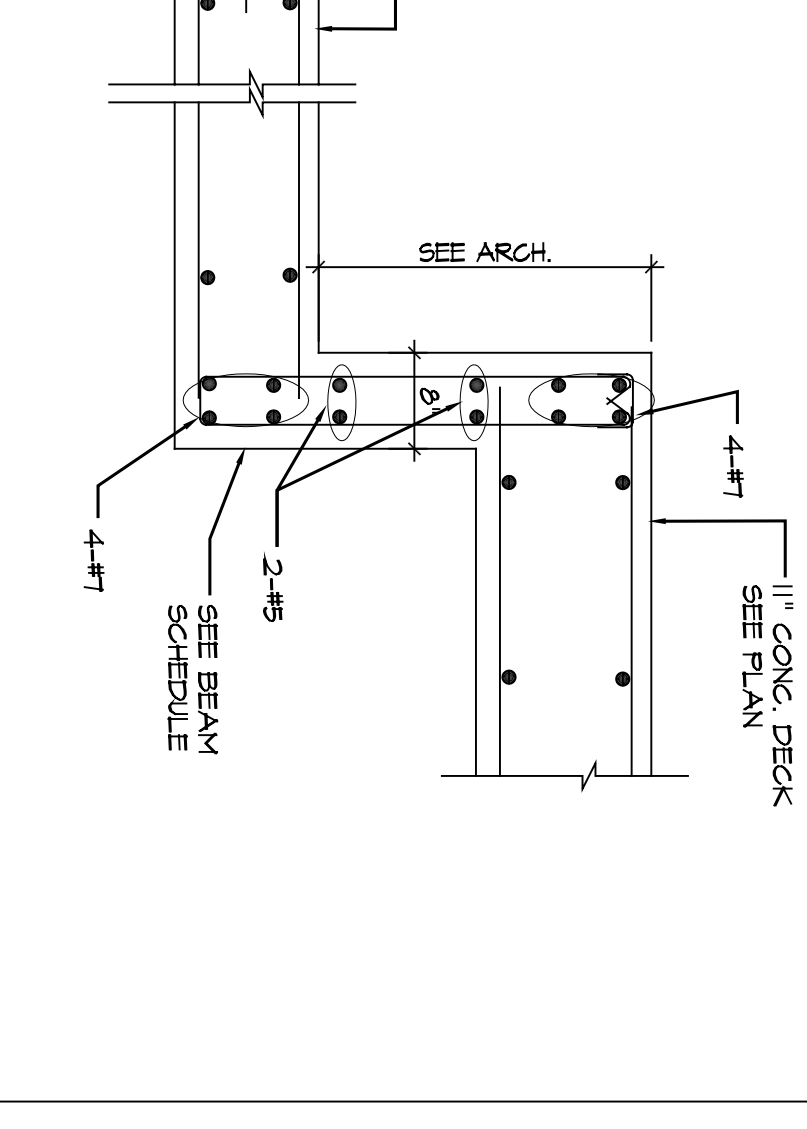
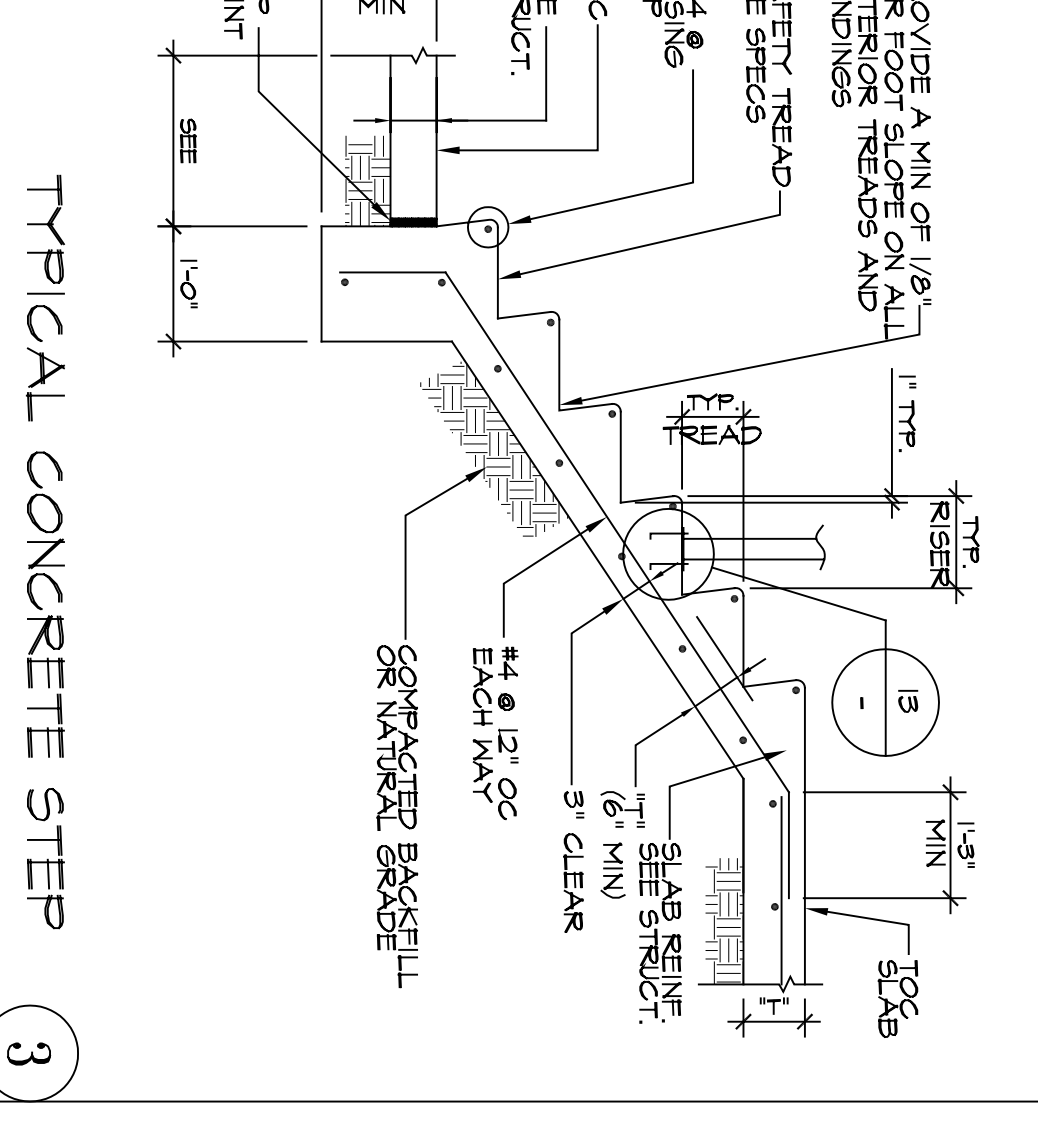
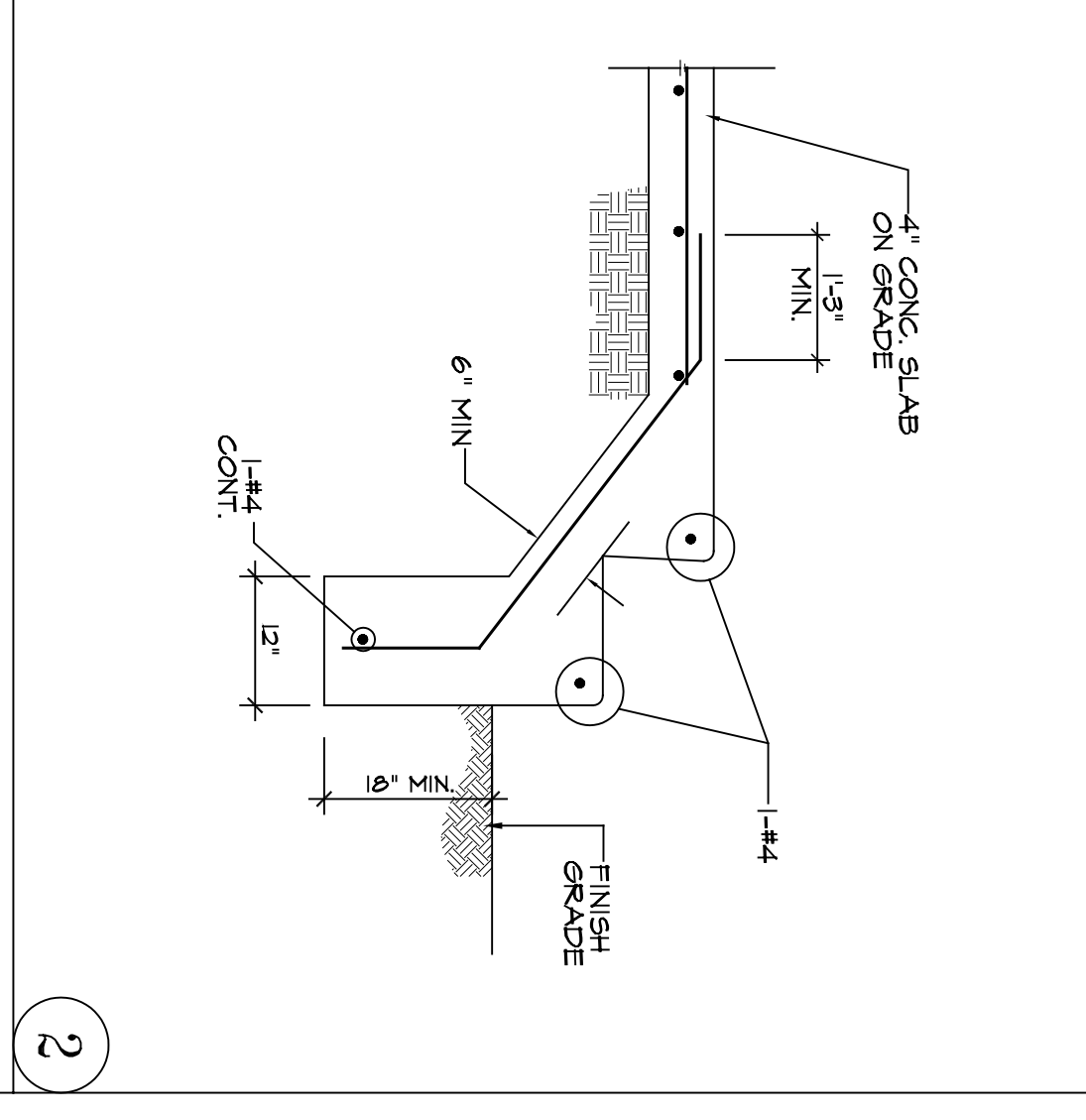
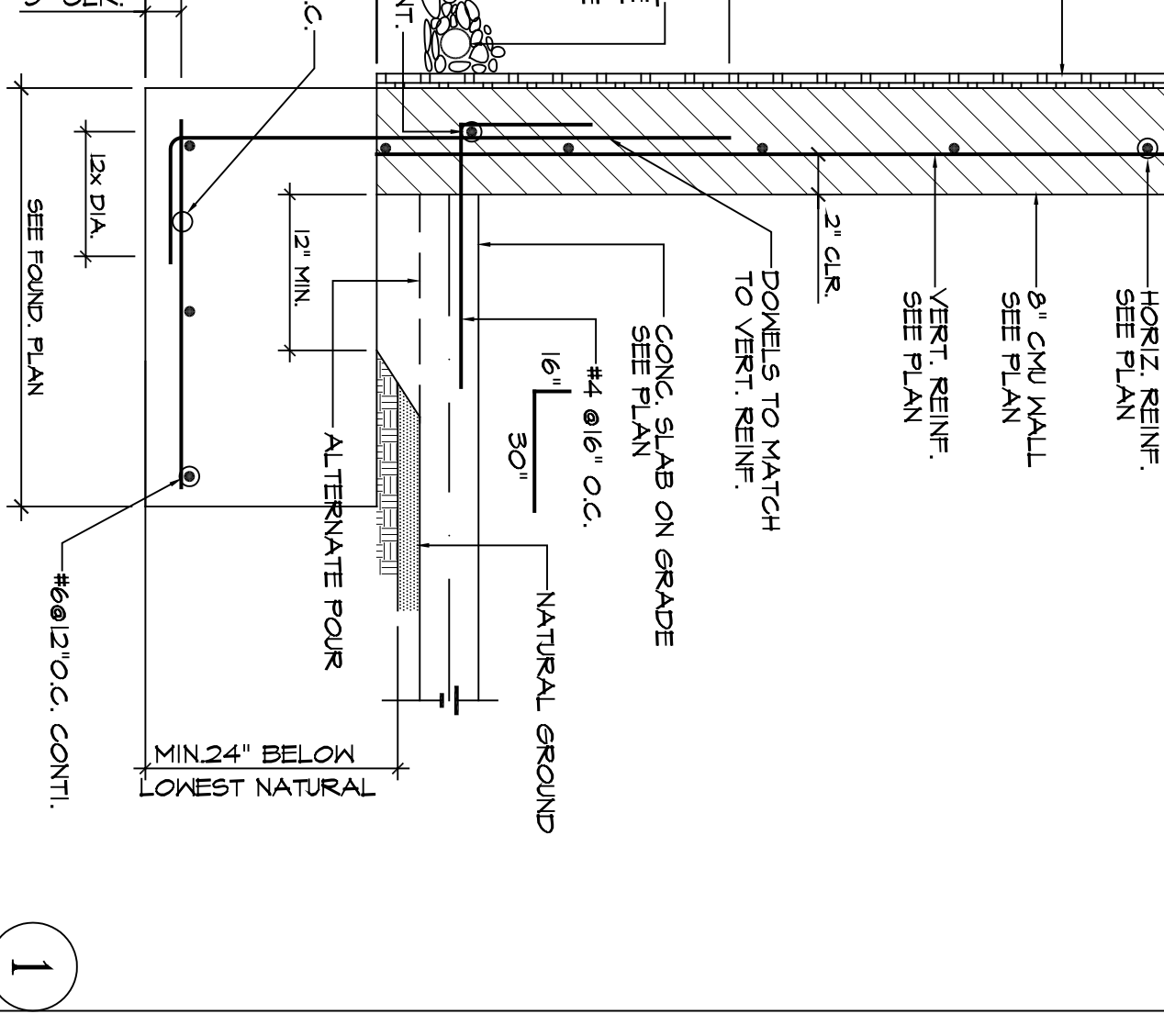
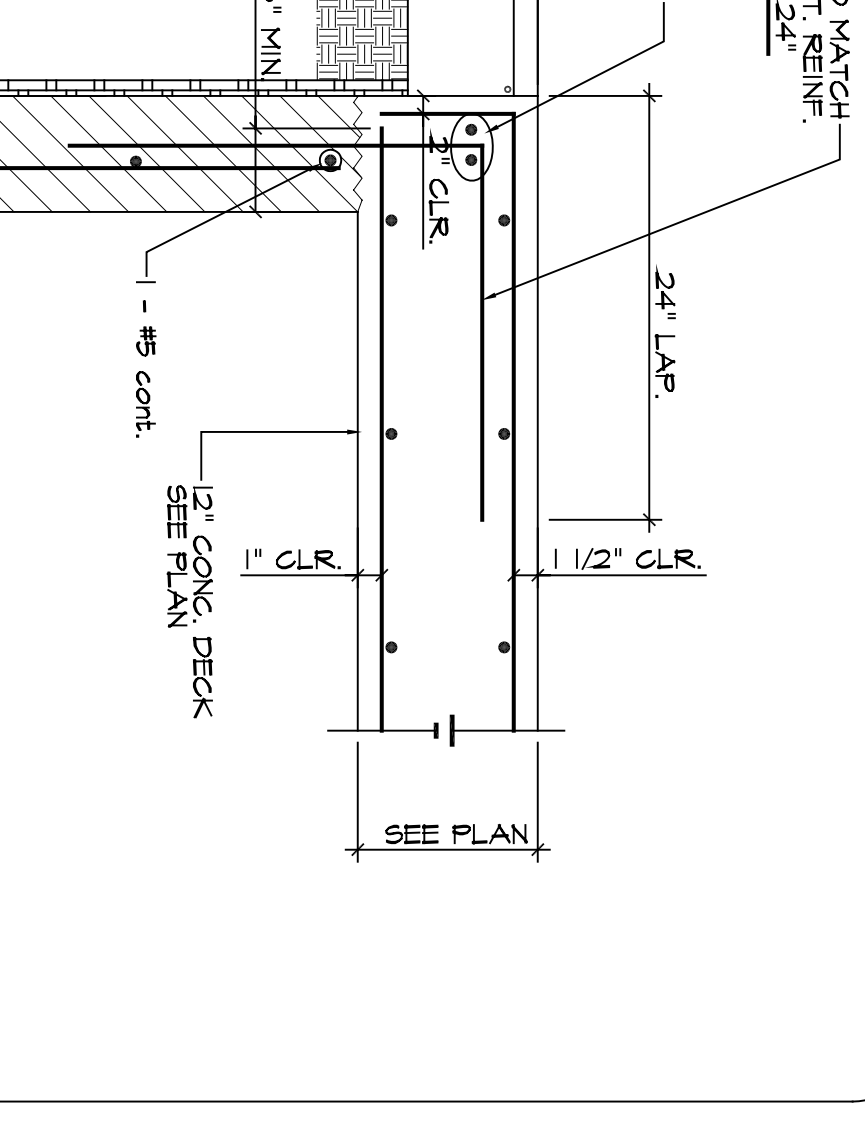
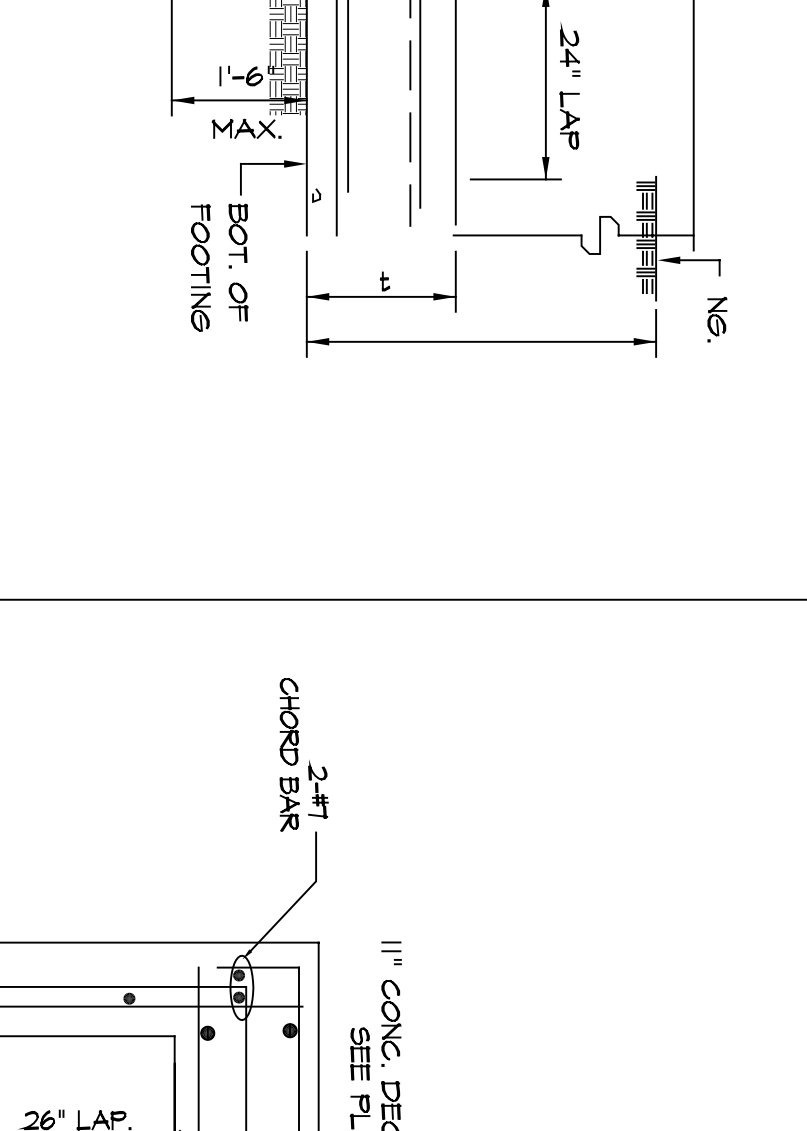
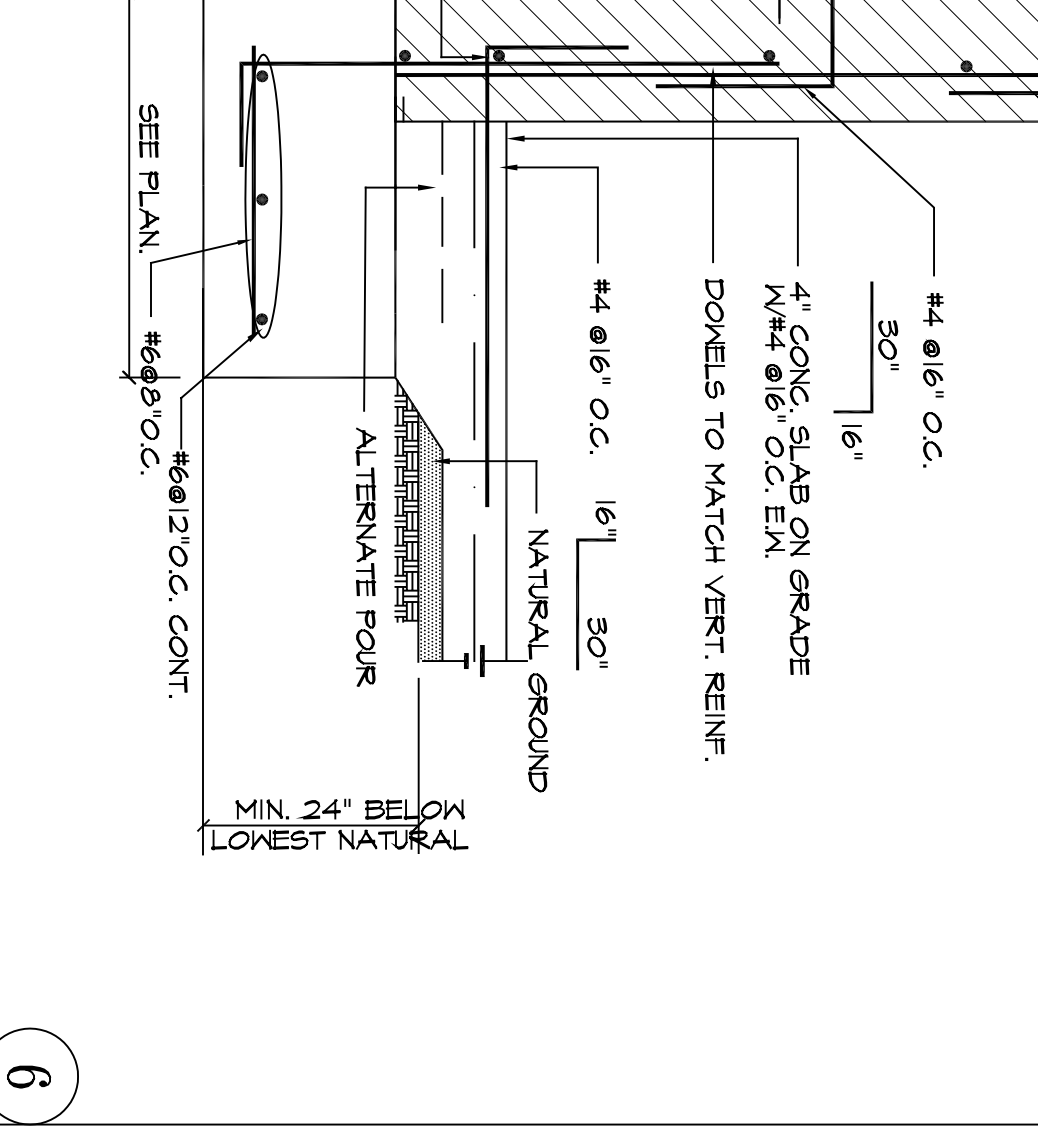
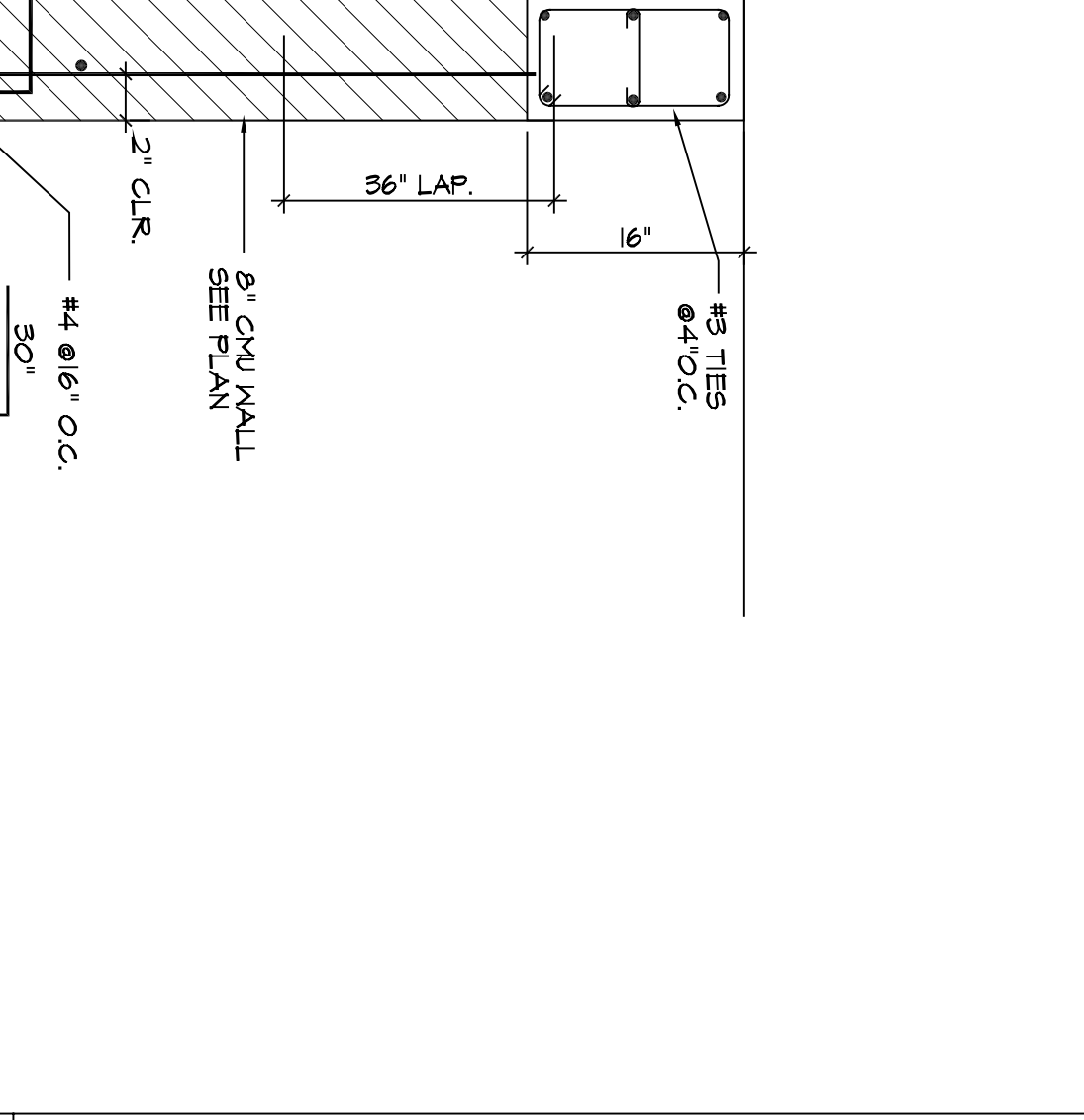
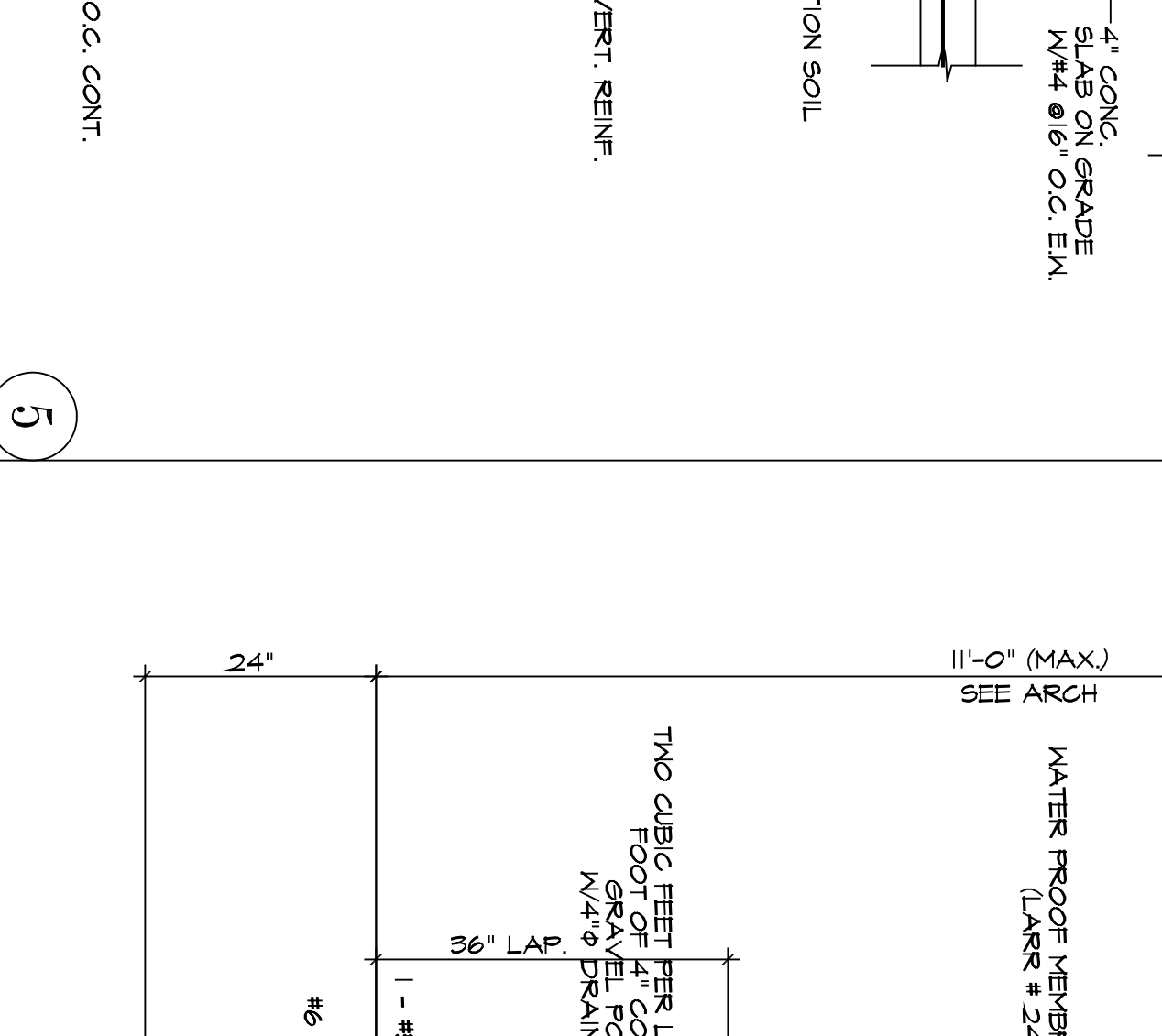
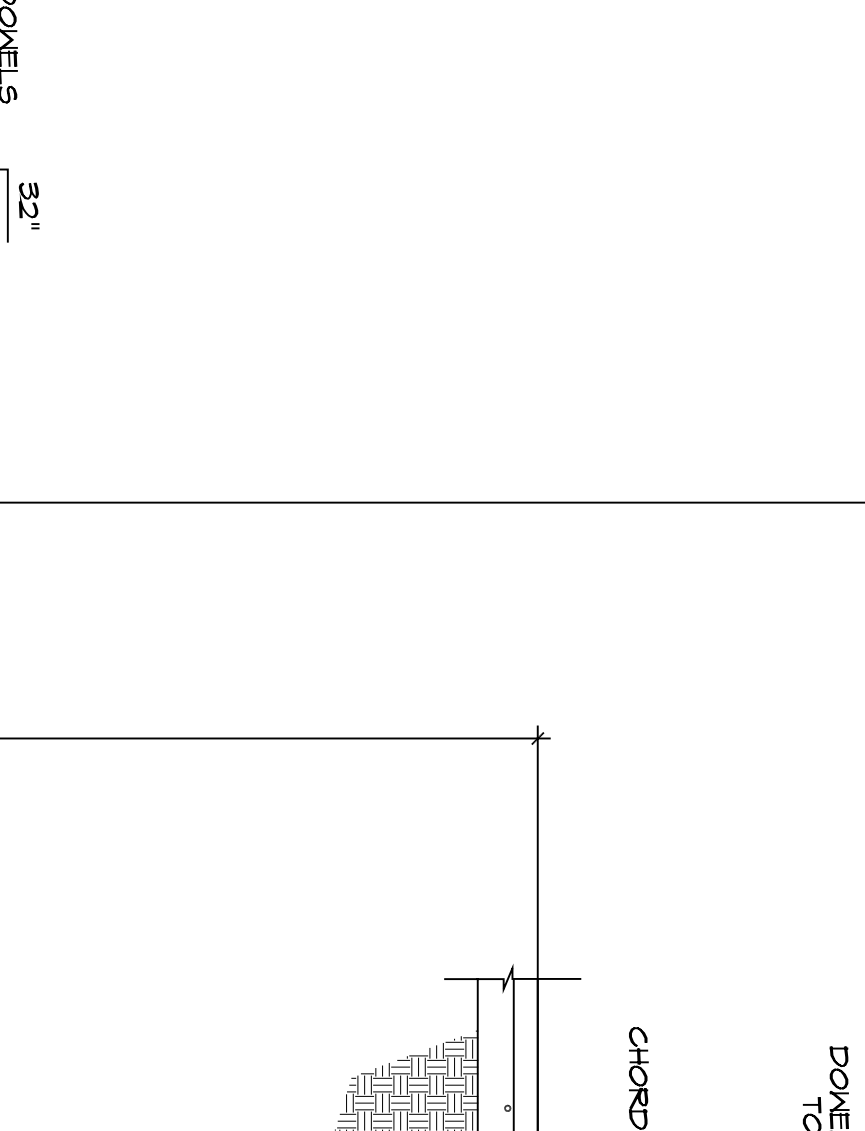
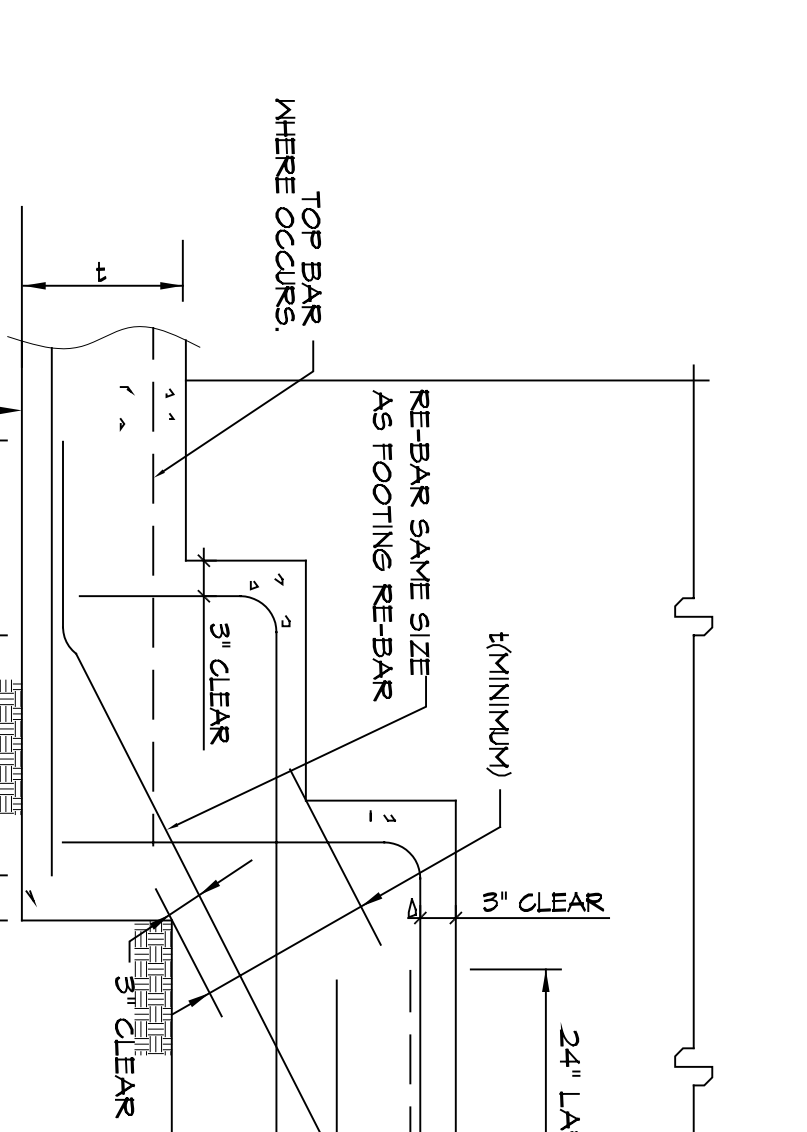
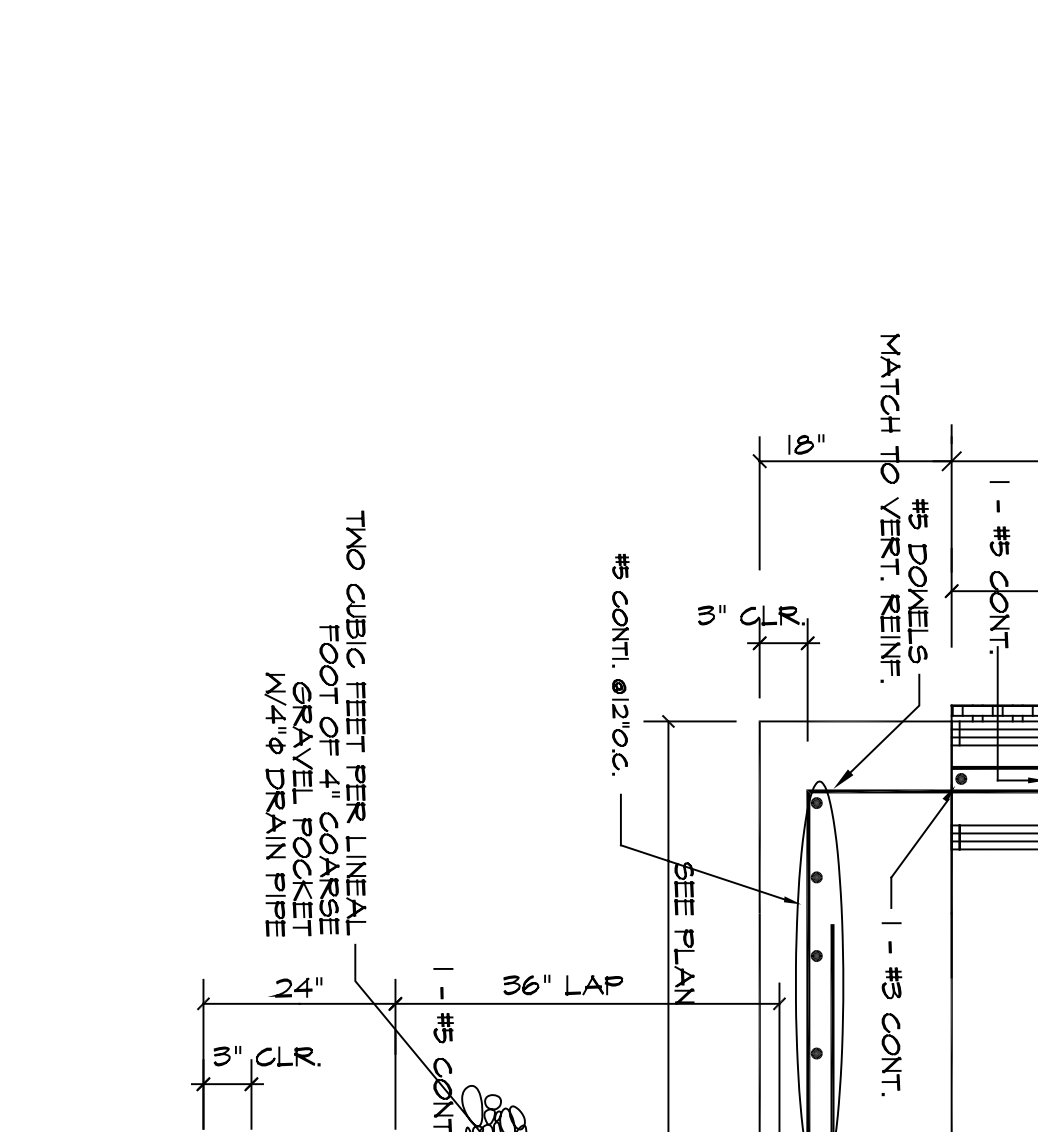
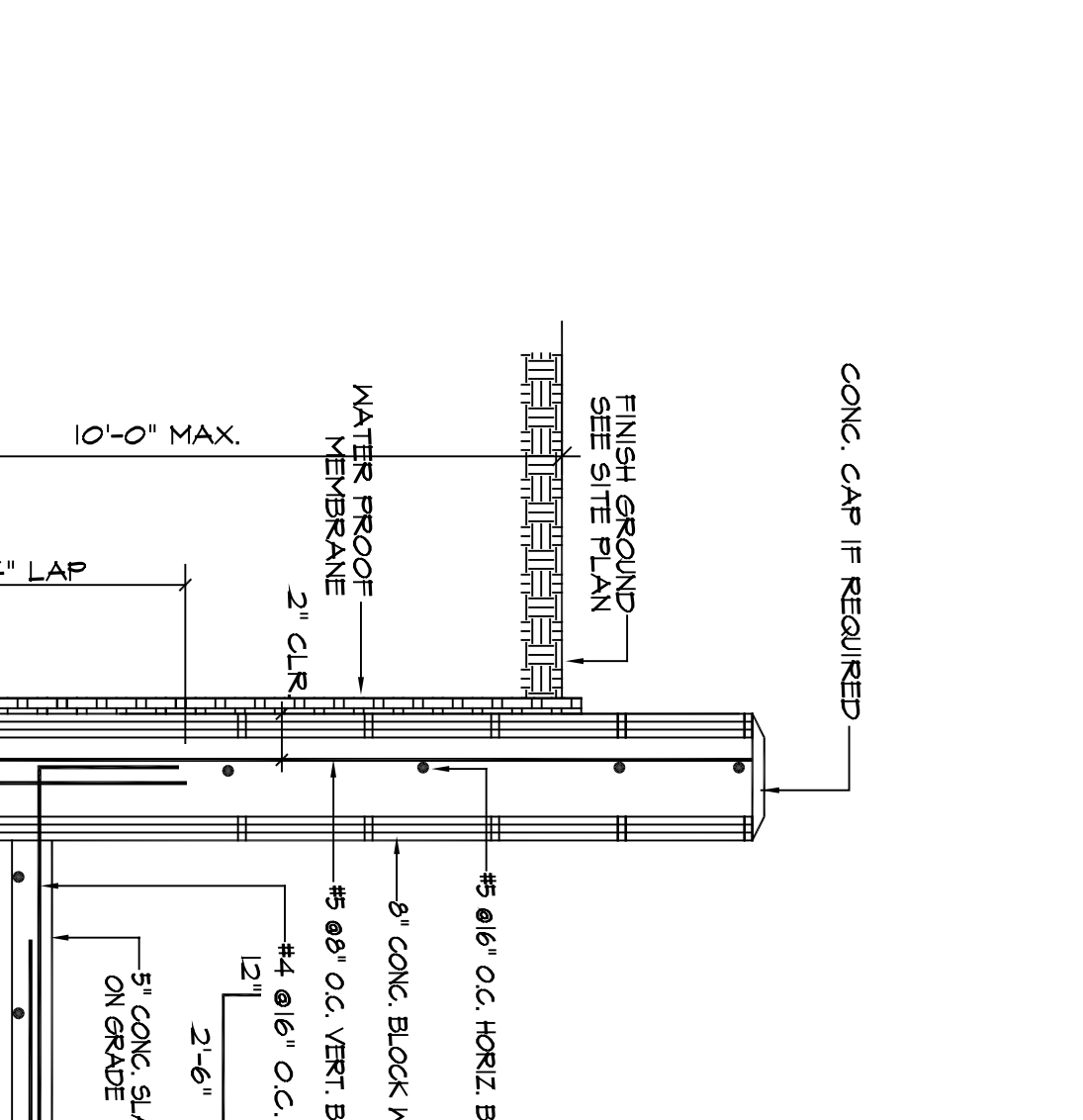
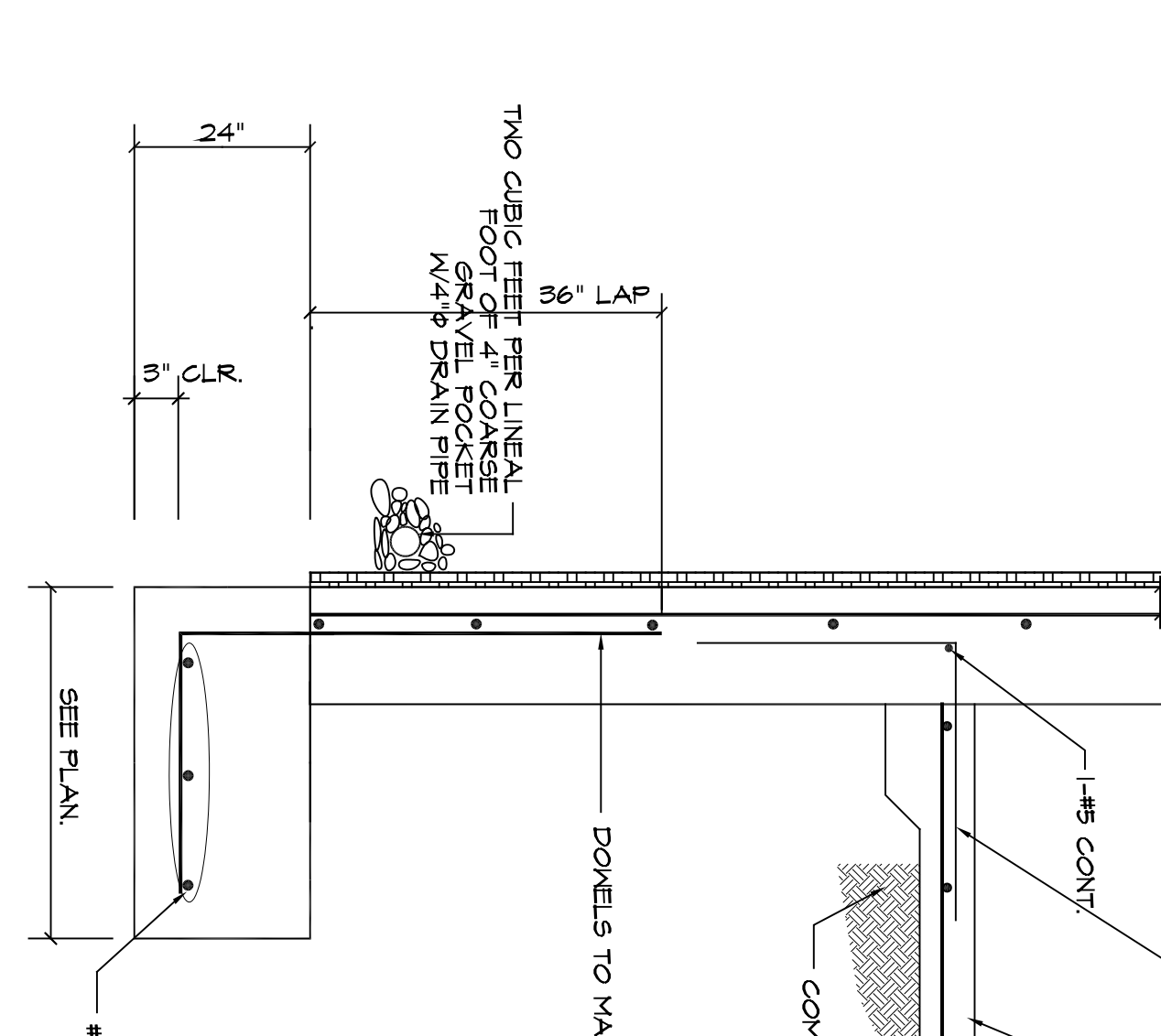
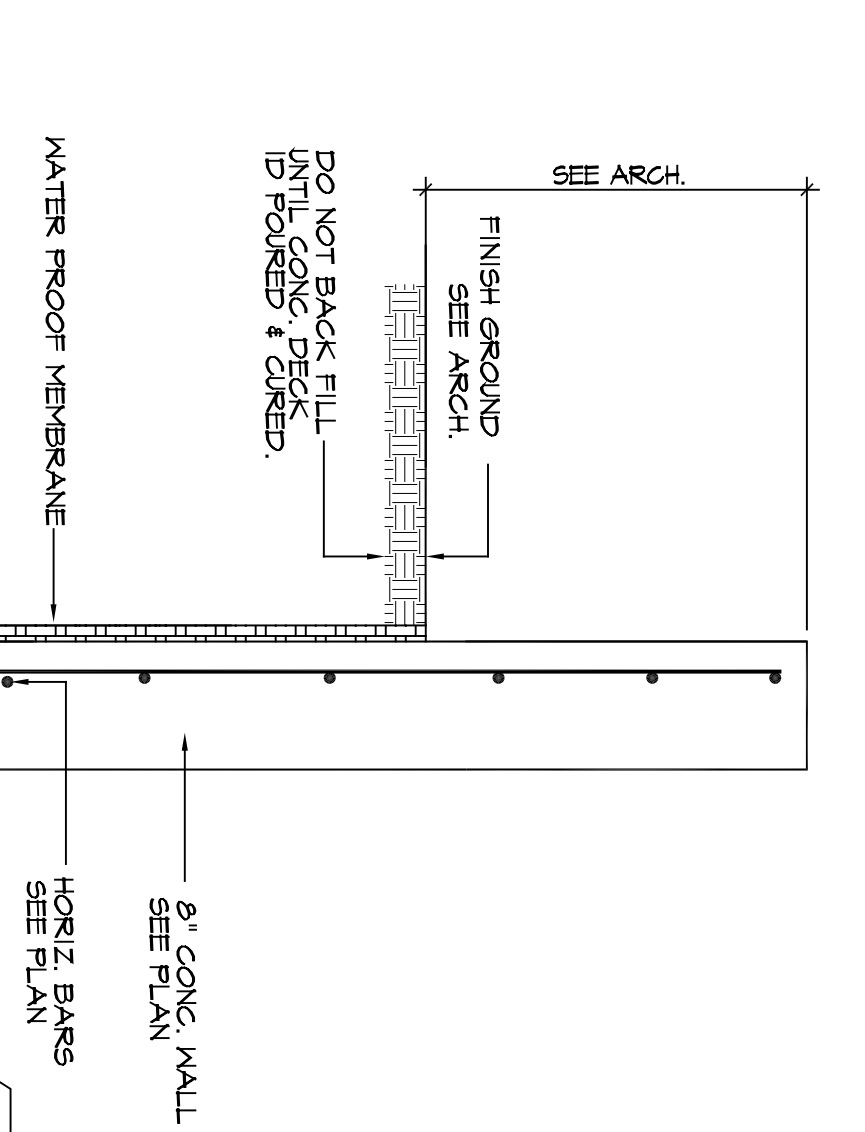


AB SCHEDULE (C&G SCHEDULE)

ZONE	FOUR	A	B	EDGE DISTANCE BOTTOM TO ROOF	MAKER	EXHIBIT
CT14-4	3/4" x 4"	21/2" x 21/2"	21/2" x 21/2"	21/2" x 21/2"	21/2" x 21/2"	21/2" x 21/2"
CT14-6	3/4" x 6"	41/2" x 41/2"	41/2" x 41/2"	41/2" x 41/2"	41/2" x 41/2"	41/2" x 41/2"
CT14-8	3/4" x 8"	61/2" x 61/2"	61/2" x 61/2"	61/2" x 61/2"	61/2" x 61/2"	61/2" x 61/2"
CT14-9	3/4" x 9"	71/2" x 71/2"	71/2" x 71/2"	71/2" x 71/2"	71/2" x 71/2"	71/2" x 71/2"



NO.	REVISION	DATE

MR. ALI MADANI & MR. HOSSEIN ASHTIANI
5 UNIT CONDOMINIUMS at
1327 EUCLID STR., SANTA MONICA, CA-90404



L&V ARCHITECTS
1514 17th Street, Suite 207
Santa Monica, CA 90404
Tel. (310) 829 0996; Fax. (310) 829 7889

TITLE	SCALE	DATE
DETAILS		02/27/07
SHEET NUMBER		

S-3.1