

NO.	REVISION	DATE



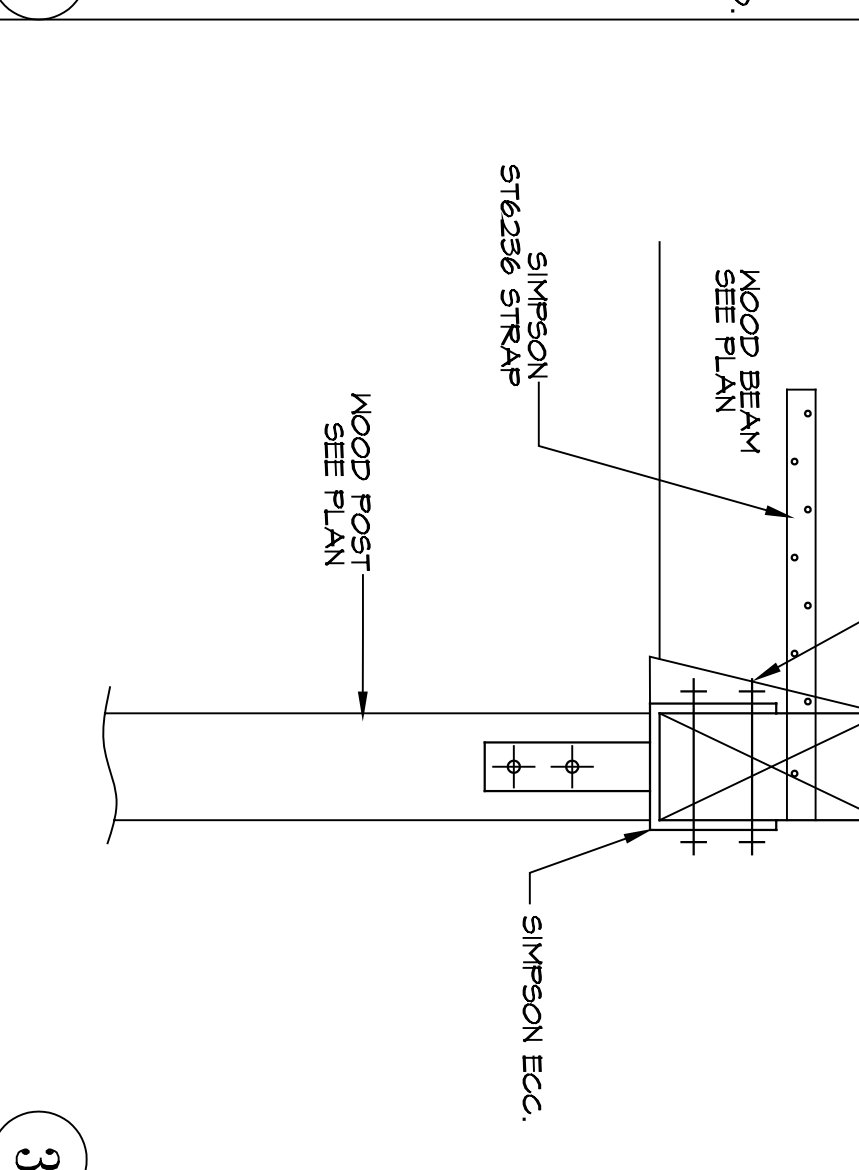
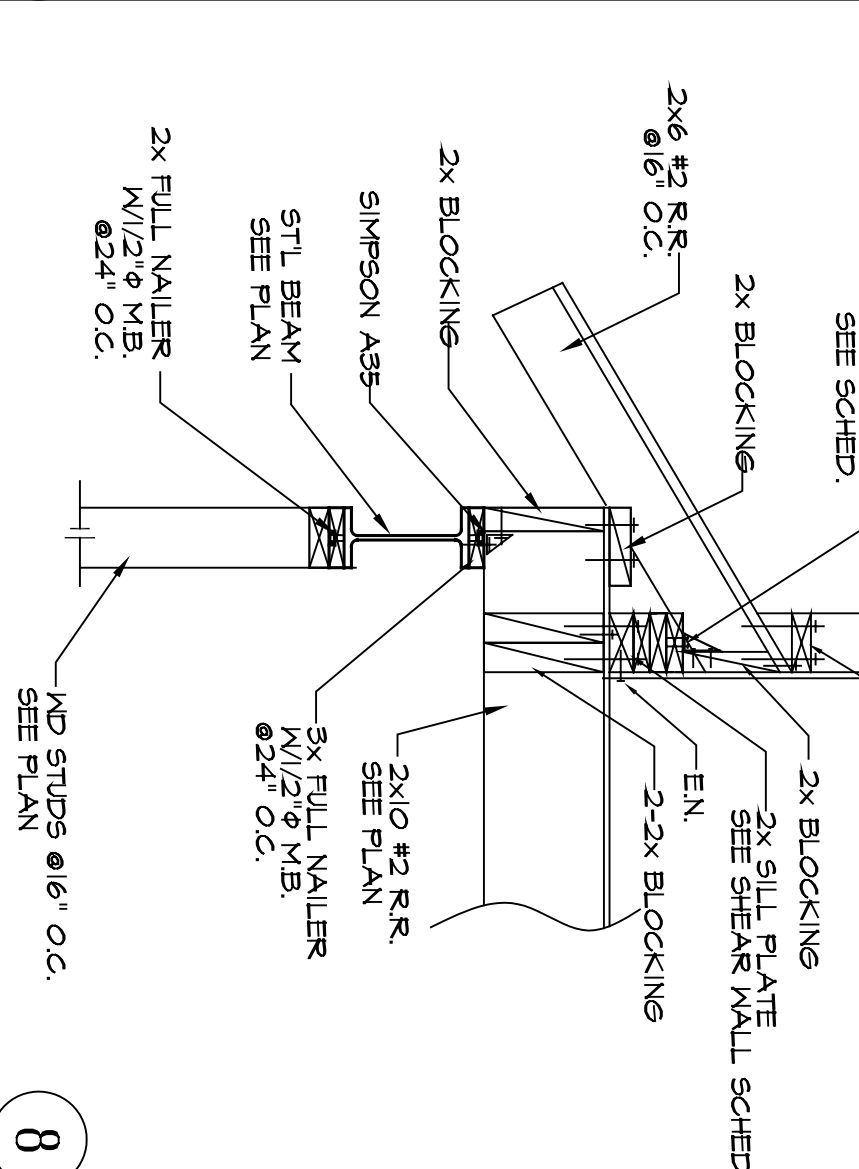
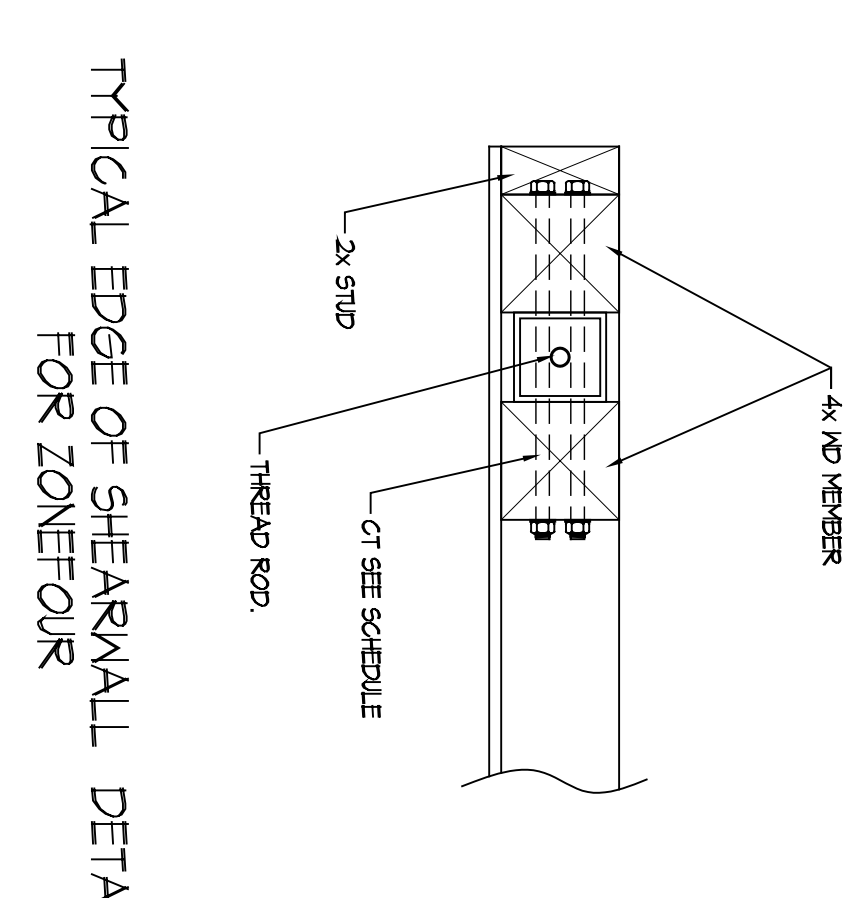
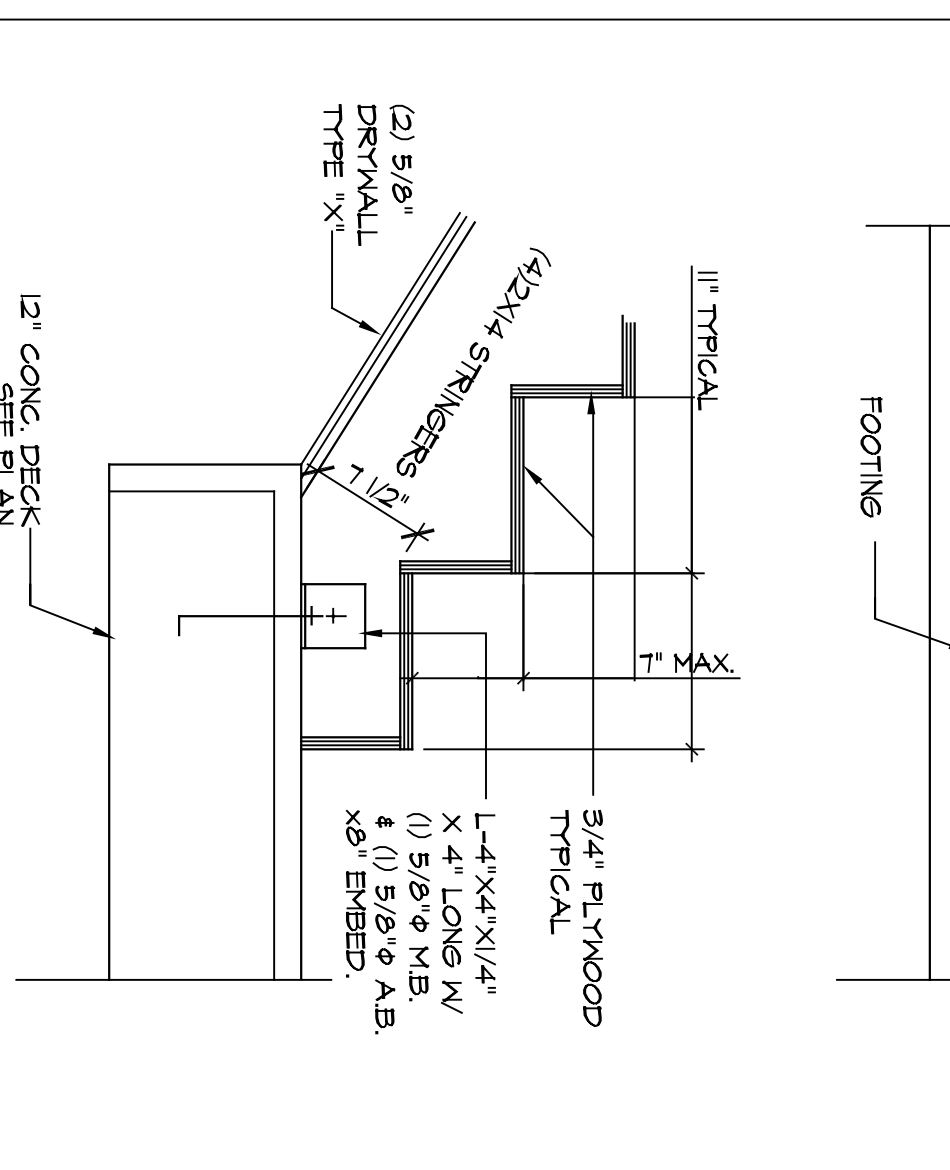
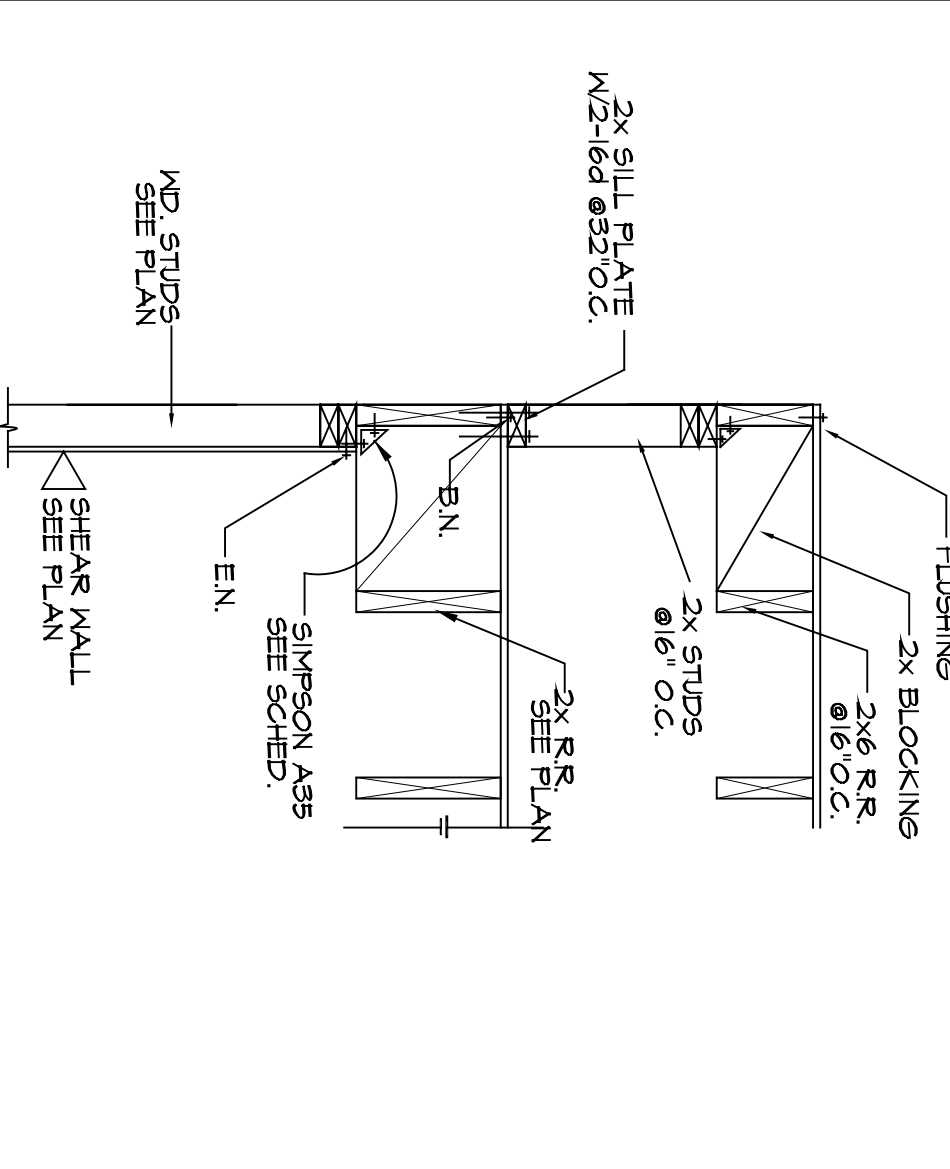
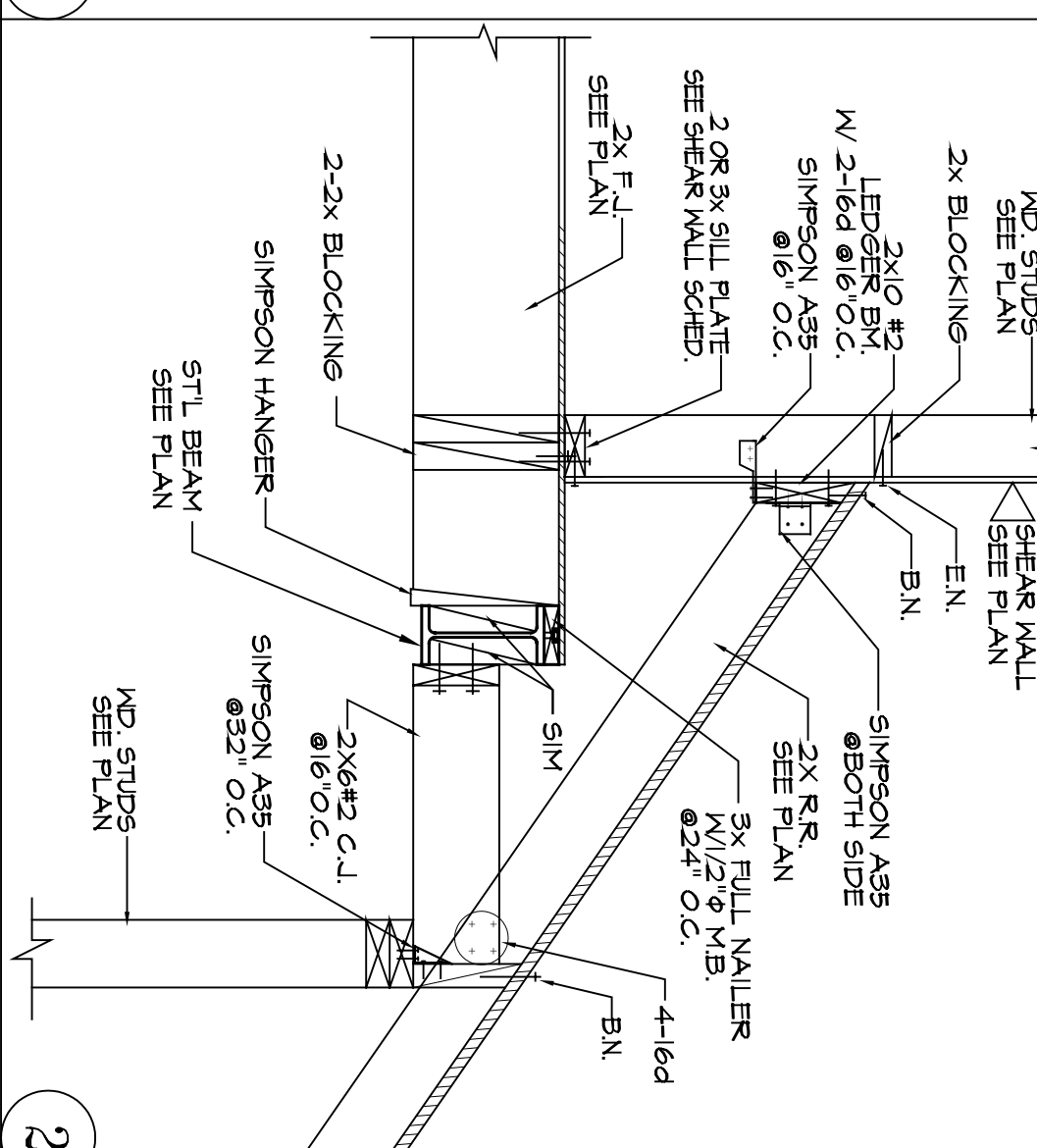
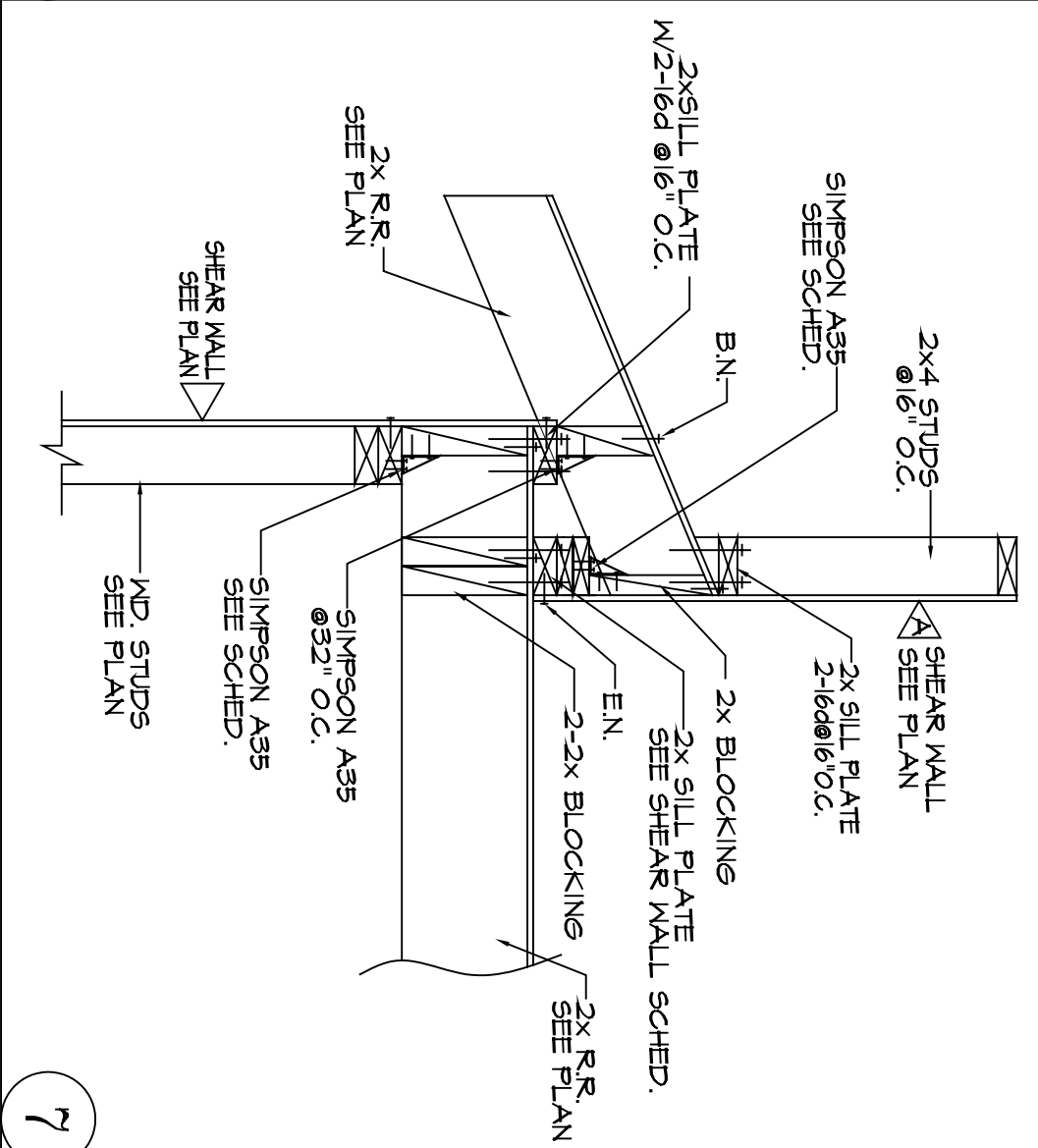
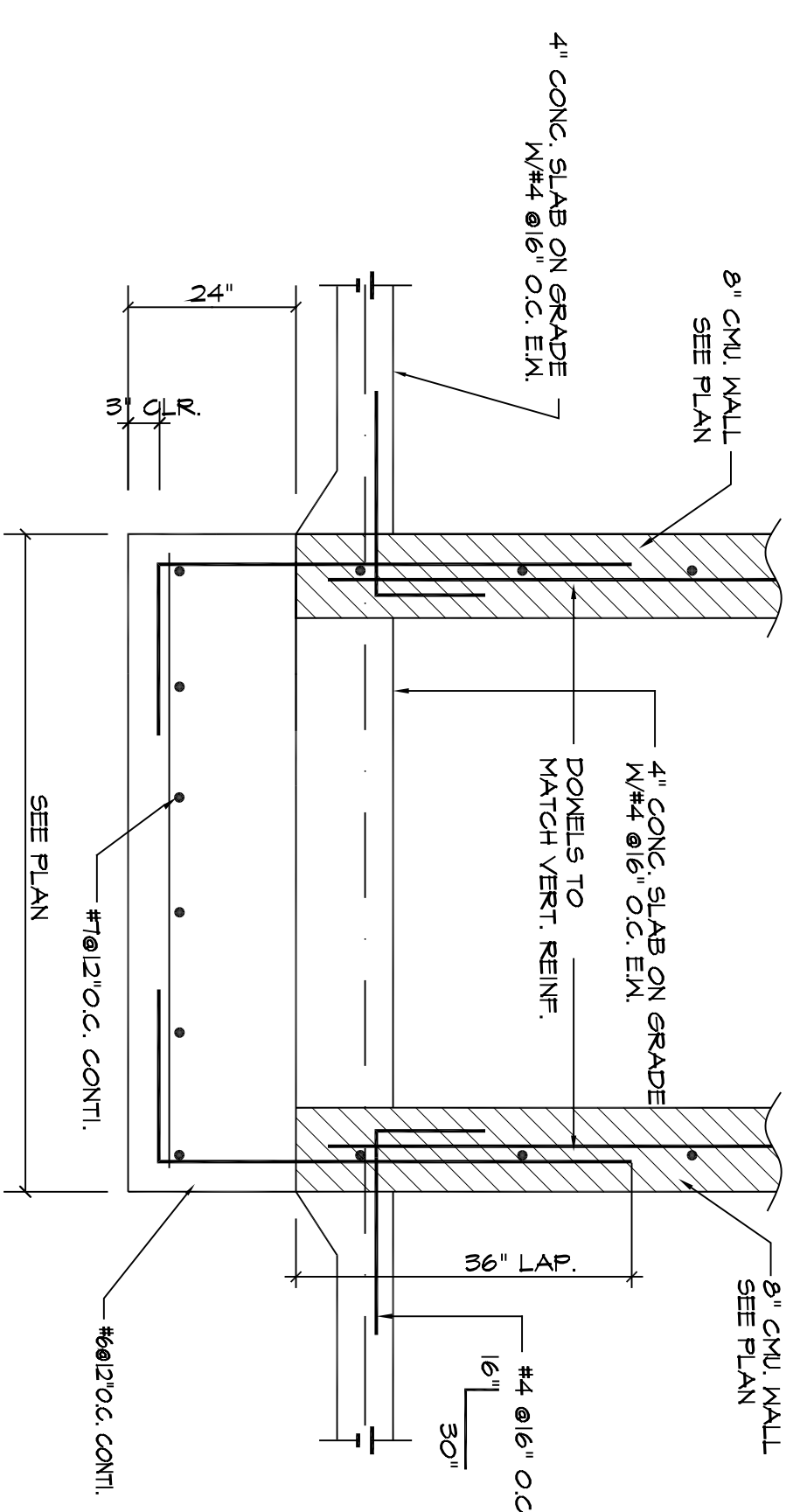
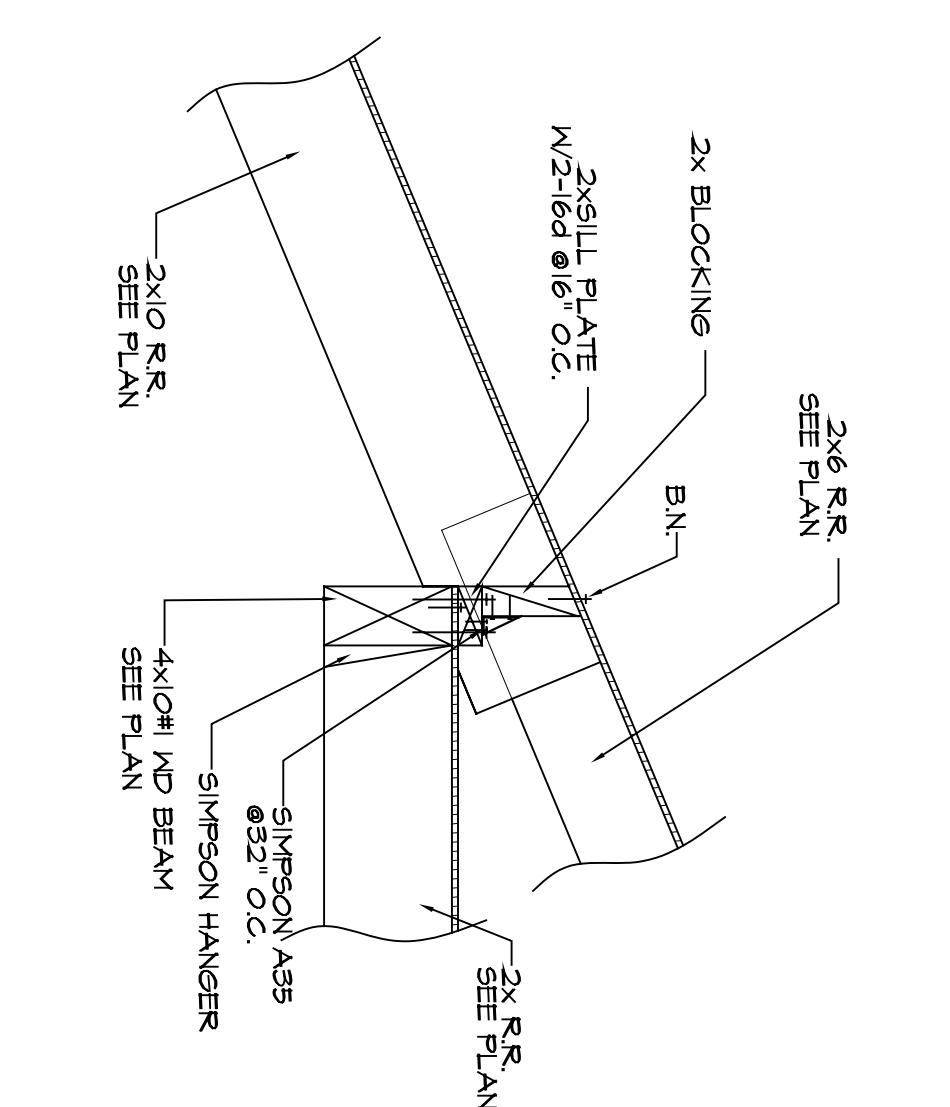
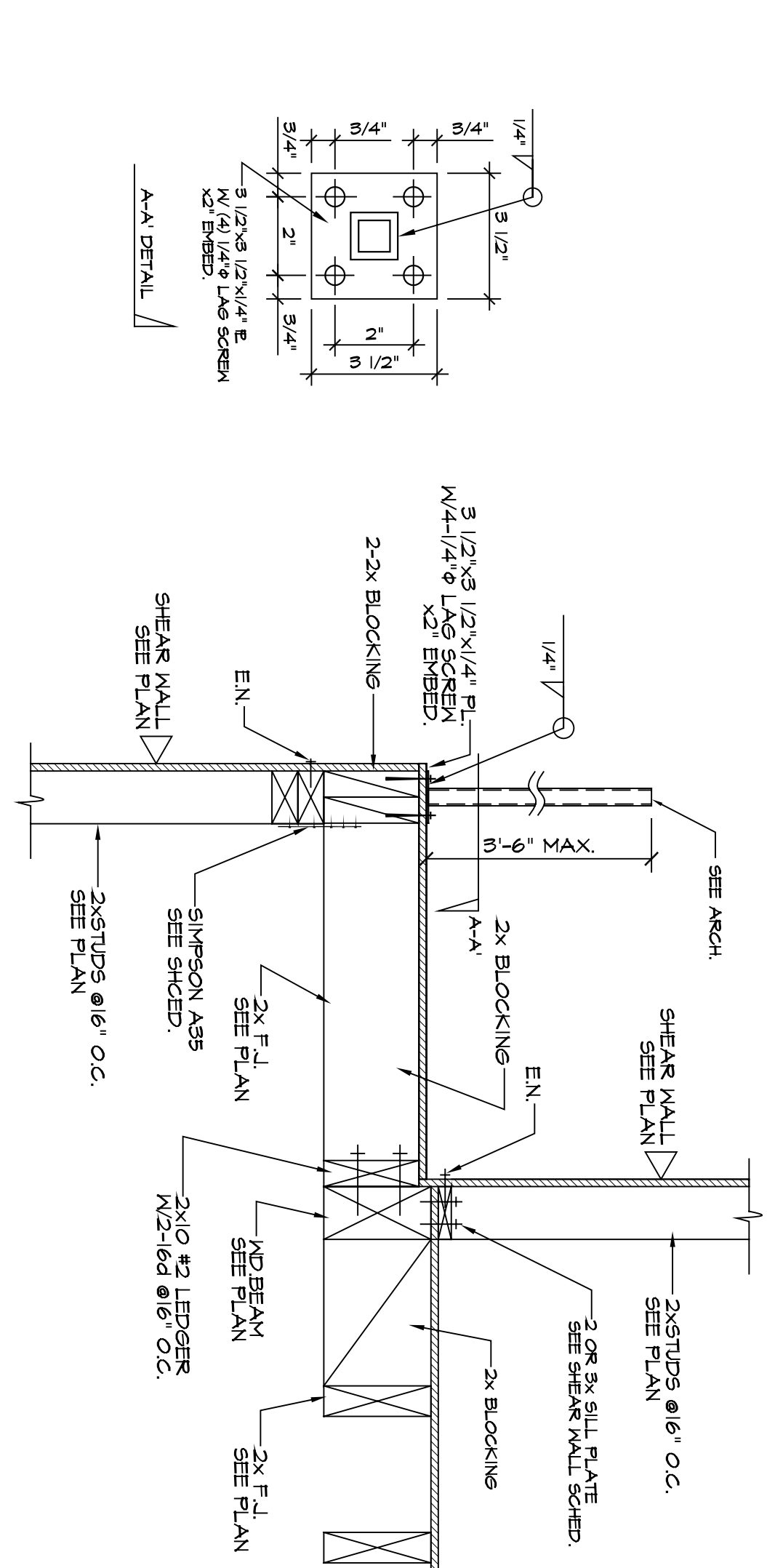
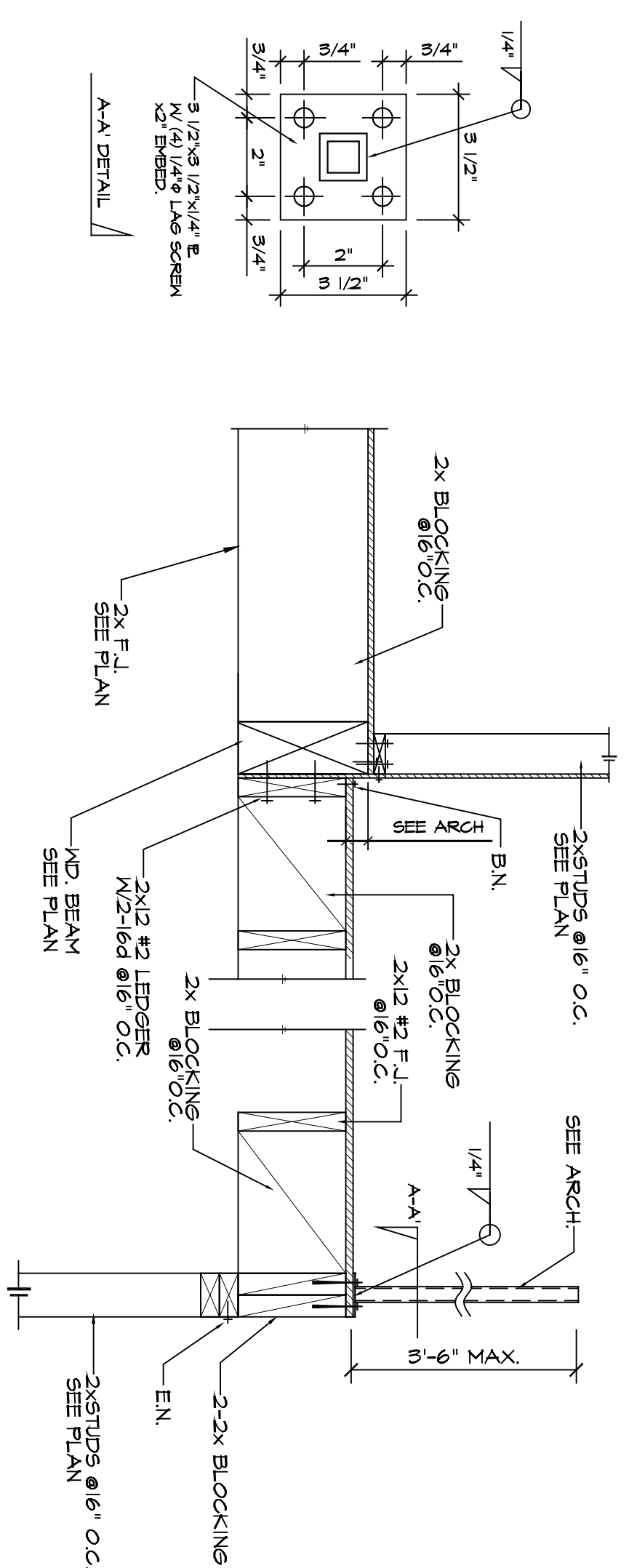
MR. ALI MADANI & MR. HOSSEIN ASHTIANI  
 5 UNIT CONDOMINIUMS at  
 1327 EUCLID STR., SANTA MONICA, CA-90404

L&V ARCHITECTS  
 1514 17th Street, Suite 207  
 Santa Monica, CA 90404  
 Tel. (310) 829 0996; Fax. (310) 829 7889

TITLE  
 DETAILS

SCALE  
 DATE  
 02/27/07

SHEET NUMBER  
 S-3.5



TYPICAL EDGE OF SHEARWALL DETAIL FOR ZONEFOUR